

Instructions for Use and Installation
- PH16600SS-2

TECHNIKA



Contents

For Your Safety

Safety Precautions	3
Before Connecting	3
Warnings	4

Use and Care

Use and Care	5
Lamp Replacement	7
Controls	8
Command Patterns	8
Troubleshooting	9
Disposal	9

Installation

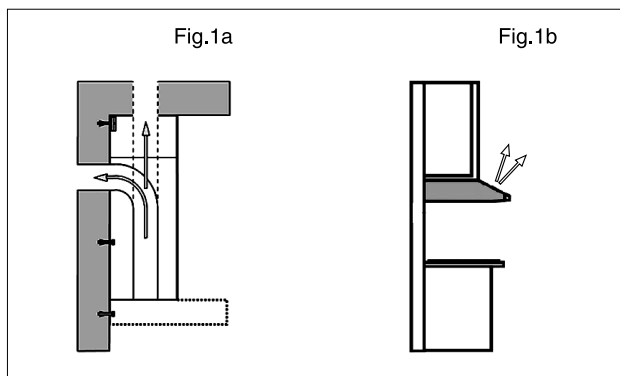
Electrical Connection	10
Instructions for Installation	10
Ducted Installation	11
Re-circulating Installation	13
Fixing to the Wall	14



For Your Safety

Carefully read the following important information regarding installation safety and maintenance. Keep this information booklet accessible for future reference.

The appliance has been designed for use in a ducted installation (Fig.1a.) or re-circulating installation (Fig. 1b.)



Safety Precautions

Take care when the Range Hood is operating simultaneously with an open fireplace or burner that depend on natural ventilation as the Range Hood removes air from the room, which a burner or fireplace may need for combustion.

Provide adequate ventilation for safe operation of the Range Hood. Follow any local laws that apply to external air evacuation.

Before connecting to the electricity network:

Look at the data plate (located inside the appliance) to ascertain that the voltage and power correspond to the available power supply and the power outlet is suitable. If in doubt ask a qualified electrician.

If the appliance is used intensively for a long period of time, you may need to open a window to improve airflow.



For Your Safety



WARNINGS!

- **Do not check the status of the filters while the Range Hood is operating.**
- **Do not touch bulbs or adjacent areas, during or straight after use.**
- **Do not flambé under the Range Hood.**
- **Disconnect the electrical plug prior to any maintenance.**
- **This appliance is not intended for use by young children or infirm persons without supervision.**
- **Young children should be supervised to ensure they do not play with the appliance.**
- **There shall be adequate ventilation in the room when the Range Hood is used at the same time as appliances burning gas or other fuels.**
- **There is a fire risk if cleaning is not carried out in accordance with the instructions.**

THE MANUFACTURER DECLINES ALL RESPONSIBILITY FOR DAMAGES CAUSED BY BREACHING THE ABOVE WARNINGS.



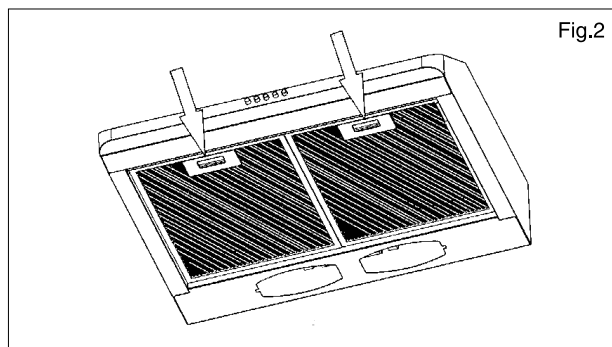
Use and Care

It is recommended to start the Range Hood prior to commencing to cook and leave the Range Hood in operation for 15 minutes after cooking is finished in order to completely eliminate cooking vapours and odours.

To ensure the Range Hood continues to operate effectively, regular maintenance and cleaning, in particular, cleaning the air inlet filters and the active charcoal filters (if fitted).

The air inlet filters capture the grease particles suspended in the air and are therefore subject to clogging. It is recommended you clean the filters every 30 days by carrying out the following instructions:

- Remove the anti-grease filter(s) by pressing the button in the direction of the arrows shown in Fig. 2.
- For Metallic Filters - Wash them in lukewarm water or a dishwasher every 30 days under normal use and allow to dry before refitting.
- The aluminum panels may alter in colour after several washes, which is normal and does not affect performance.



Clean the fan and other surfaces of the Range Hood regularly using a cloth moistened with warm water or non abrasive liquid detergent.



Use and Care

The active charcoal filters purify the re-circulated air. The filters are not washable nor re-useable and must be replaced every four months. The saturation of the active charcoal filter depends on the frequency of use of the appliance, the type of cooking and the regularity of cleaning the anti-grease filters.

To remove the charcoal filters (if fitted), place a hand on one filter at a time, turn it clockwise and then lift it off. Place the new filter in the position shown and rotate anti-clockwise to lock it in position around the tabs shown below (Fig.3). If your Range Hood has more than one charcoal filter fitted, always ensure you replace both filters at the same time.





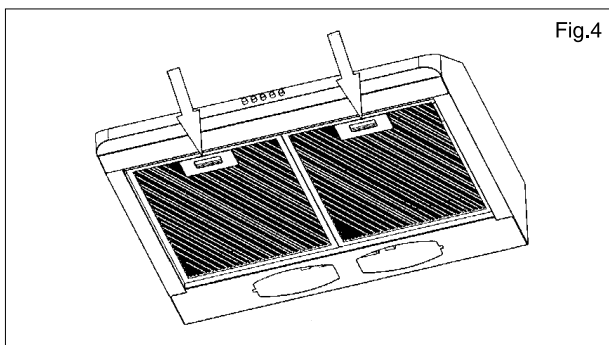
Use and Care

Lamp Replacement

The lamp is designed for use during cooking and not for prolonged general illumination of the environment. Prolonged use of the light notably reduces the life of the bulb.

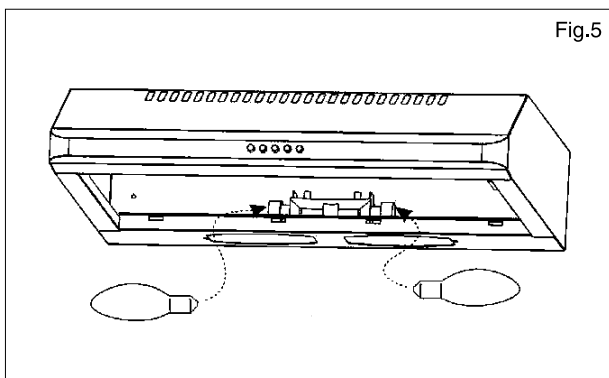
To replace the lamp, first turn off the rangehood.

Remove the anti-grease filter(s) by pressing the button in the direction of the arrows shown in Fig. 4.



Unscrew the old lamps and fit new 40W lamps into the lamp holders as shown in Fig. 5.

WARNING: Do not use lamps with a higher rating than 40W, as they may cause overheating.



Replace the anti-grease filter(s) before using the Range Hood again.



Use and Care

Controls

If your appliance does not have the INTENSIVE speed function, press key A for two seconds and it will be activated for 15 minutes after which it will return to the previously set speed. When the function is active the LED flashes.

By pressing any key, except (E) for the hood light, the hood will return immediately to its normal function.

When activated, the automatic stop timer continues the operation of the Range Hood for 15 minutes at the set operating speed before the Range Hood switches off.

5 Button Mechanical Switch

Commands Pattern: (Fig.6)

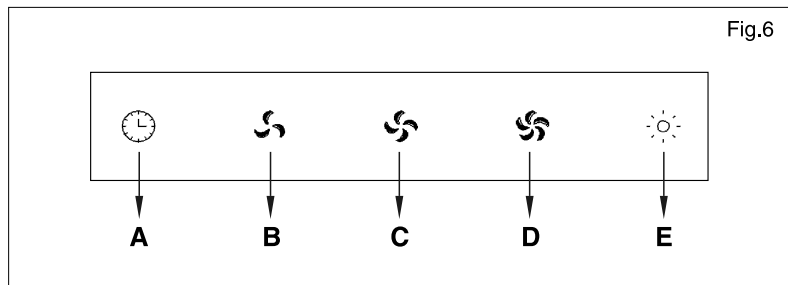
A= OFF

B= SPEED I

C= SPEED II

D= SPEED III

E= LIGHT





Use and Care

Troubleshooting

Problem	Possible reason	Solution
Hood doesn't work	No electricity supply	Check the plug is connected
		Check that the main switch/circuit breaker/safety switch is turned on
Poor airflow	Aluminum grease filters clogged	Clean the filters and replace when dry
	Charcoal filters clogged	
Motor running but no air flow	Butterfly valve jammed	Contact service department
Motor turns off after a few minutes	High temperature safety device activated	The kitchen is not sufficiently ventilated
	The hood is installed too near to the cooking stove	The hood must be at least 650mm from stove
Strong cooking smell	Charcoal filters not installed	In re-circulating mode, charcoal filters must be installed
Oil dripping onto stove	Oil cup missing or not installed	Remove aluminum filter and replace oil cup
	Aluminum grease filter saturated	Wash the aluminum grease filters
Whirring sound	Something in contact with fan blade	Contact service department

Disposal



By ensuring this product is disposed of correctly, you will help prevent potential negative consequences for the environment and human health, which could otherwise be caused by inappropriate waste handling of this product.

The symbol on the product indicates that this product may not be treated as household waste. Instead it shall be handed over to the applicable collection point for the recycling of electrical and electronic equipment.

Disposal must be carried out in accordance with local environmental regulations for waste disposal.

For more detailed information about treatment, recovery and recycling of this product, please contact your local city council office.



Installation

Assembly and electrical connections must be carried out by authorised personnel.

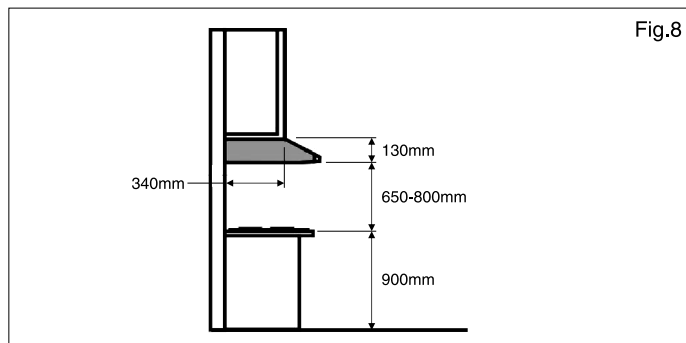
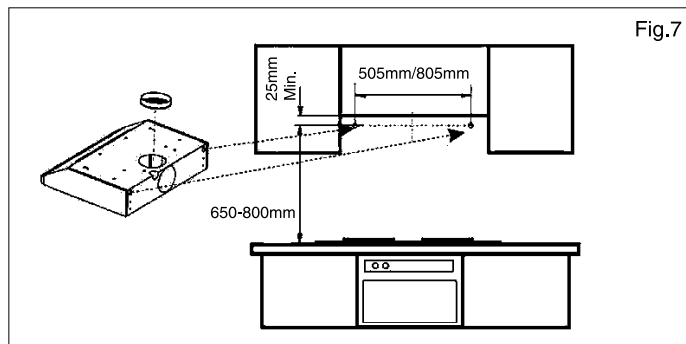
Electrical Connection

The Range Hood is fitted with a power cord and 3 pin plug. Install the Range Hood so that the plug is easily accessible. Plug the 3-pin plug into a properly earthed, 10A general purpose power outlet.

If the supply cord is damaged, it must be replaced by the manufacturer or its service agent or a similarly qualified person in order to avoid a hazard.

Instructions for Installation

The minimum distance between the cooking surface and the lowest part of the Range Hood must be at least 650-800mm above the level the cooktop (Fig.7 & 8)

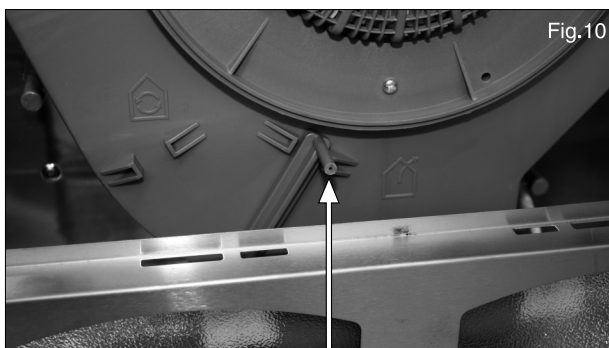
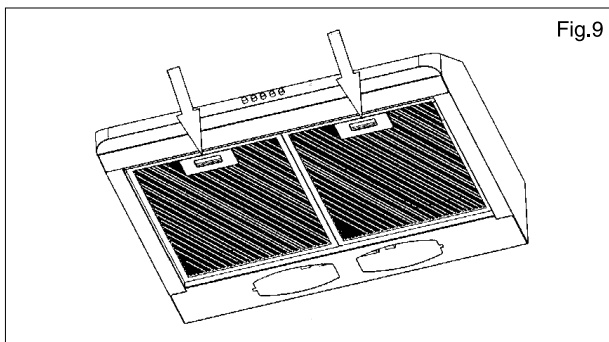





Installation

Ducted Installation

To prepare the Range hood for use in a ducted installation, remove the anti-grease filters (Fig. 9) and check that the lever is set to ducted mode as shown (Fig. 10).



Set lever to ducted mode. 

If a connection flue composed of two parts is used, the upper part must be placed outside the lower part.

Exhaust air must not be discharged into a flue which is used for exhausting fumes from appliances burning gas or other fuels. Installation must comply with any local regulations concerning the discharge of exhaust air.

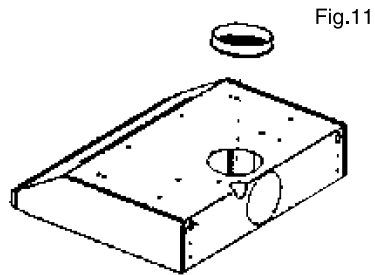
The Range Hood must be connected to a $\varnothing 120\text{mm}$ pipe. Long piping and multiple bends should be avoided. Horizontal sections should have a slight inclination to aid air evacuation.



Installation

The connection to the pipe is made with the plastic collar supplied with the Range Hood. This attaches to the cutout in the top or rear panel of the hood housing (Fig.11). Insert the collar and rotate clockwise to lock it in place.

The use of flexible aluminium pipe is not recommended as it reduces the efficiency of the unit.



NOTE: If your Range Hood has two exit holes in the housing, the one not used should be covered with the blockoff plate supplied.

For ducted installations prepare the hole in the ceiling or wall for the evacuation of the air.



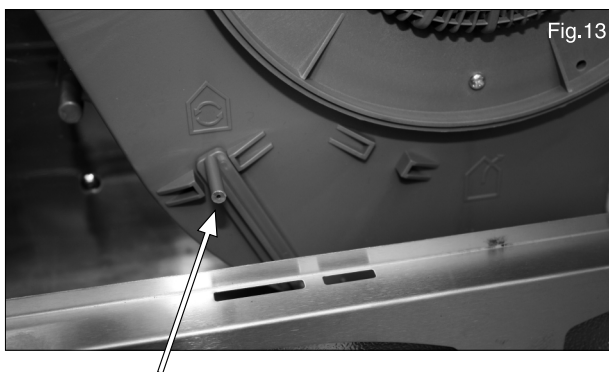
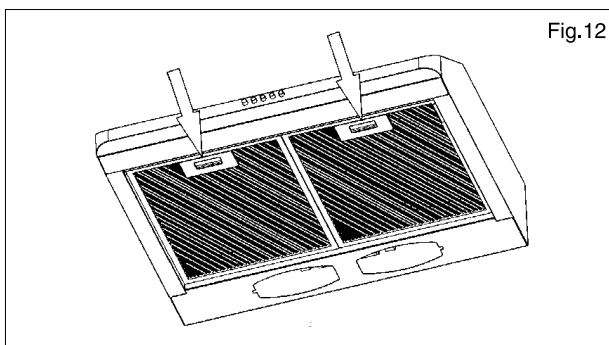
Installation

Re-Circulating Installation

To prepare the Range hood for use in a re-circulating installation, remove the anti-grease filters (Fig. 12) and check that the lever is set to re-circulating mode as shown (Fig. 13).

Charcoal filters can be fitted when using the Range Hood in re-circulating mode. Refer to page 6 for fitting/removing the charcoal filters.

Both cutouts in the top and rear panels of the housing should be blocked off when using the re-circulating method.



Set lever to re-circulating mode.

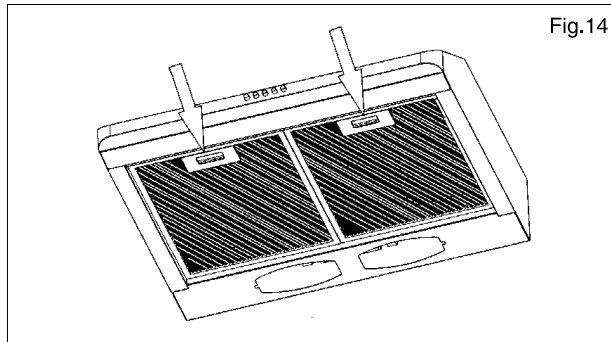




Installation

Fixing to the Wall

Before proceeding with the assembly, remove the anti-grease filter(s) (Fig.14) so that the unit is easier to handle.



To avoid possible noises from vibration, we recommend using foam rubber tape on the back side of the Range Hood, between the unit and wall and the upper side between the Range Hood and the overhead cabinets.



Installation

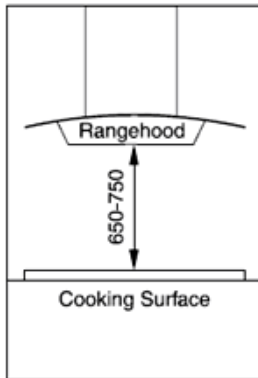
Drill the holes according to the distances indicated (Fig.15).

Fix the appliance to the wall and align it in horizontal position to the wall units. When the appliance has been adjusted, fix the hood using the screws supplied.

For various installation types, use screws and screw anchors suited to the type of wall (e.g. reinforced concrete, plasterboard, etc.). If using the screws and screw anchors supplied with the product, check that they are suitable for the type of wall on which the hood is to be fixed.

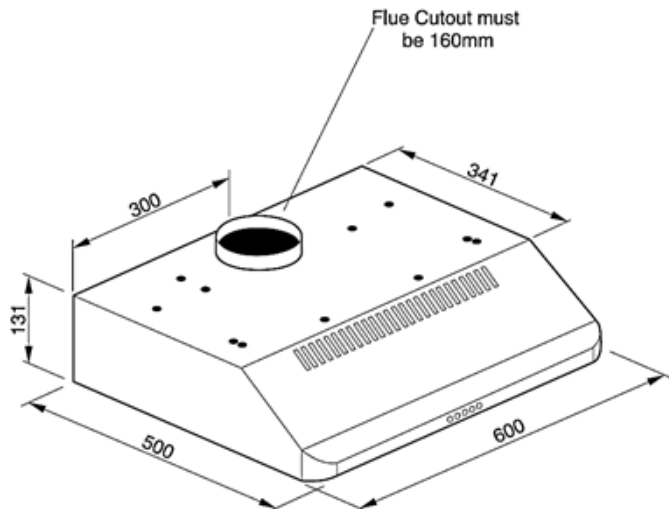
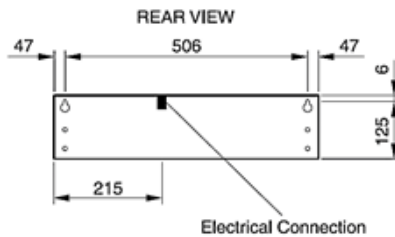
Instructions for Installation

Recommended Clearances



Install Range Hoods in accordance with the manufacturer's instructions. Technika recommends that all Range Hood clearances be a minimum of 650mm to a maximum of 750mm (between the top of the cooking surface and to the underside of the rangehood).

Distance may be reduced to 600mm to align with the AGA code.



READ THE INSTRUCTION BOOKLET BEFORE INSTALLING AND USING THE APPLIANCE.

The manufacturer will not be responsible for any damage to property or to persons caused by incorrect installation or improper use of the appliance.

The manufacturer is not responsible for any inaccuracies, due to printing or transcription errors, contained in this handout. In addition, the appearance of the figures reported is also purely indicative.

The manufacturer reserves the right to make changes to its products when considered necessary and useful, without affecting the essential safety and operating characteristics.

Technika constantly seeks ways to improve the specifications and designs of their products.

Whilst every effort is made to produce up to date literature, this document should not be regarded as an infallible guide.

Actual product only should be used to derive cut out sizes.

All Technika Appliances must be installed by a qualified person/s with adherence to the relevant electrical, plumbing and AGA codes, with compliance being issued as required by state or national legislation.

Additionally all Technika Upright cookers must have chains installed correctly in adherence to the relevant AGA, and plumbing codes by the Licenced installer.

For maximum effectiveness and efficiency all rangehoods should be installed with the use of ductwork, by a licenced installer with adherence to the relevant state and national building codes and regulations.

All Technika appliances are for Domestic use only, and must be installed by a licence installer into Domestic Applications only, without exception and to the required Authorities guidelines. Any installation outside of this will VOID warranty.

Alfresco areas are not a Domestic application.



TECHNIKA PTY LTD ACN 069 686 326

77 Fillo Drive Somerton Victoria 3062

General: 1800 649 969 - Service & Spare Parts: 1800 333 244

Technika After Sales Service - P.O. Box 543 SOMERTON VIC 3062