

600mm Stainless steel gas cooktop

Product Features

- 4 Gas burners
- Removable light weight enamel trivets
- Electronic ignition
- Front control knobs
- Available with LPG conversion
- Connection: 10amp



Front located controls

Having the controls at the front allows more space between each burner, this means that different sized cookware can be used without getting in the way of each other

Electronic ignition

Conveniently and quickly use this cooktop by pushing and turning the control knobs to achieve the level of gas you are after

Easy to clean

The stainless steel finish, one piece cooktop, and removable controls and trivets allow for easy cleaning. For best results wipe away any spills with a damp cloth from the surface once the cooktop has cooled down.

Light weight enamel trivets

The light weight enamel trivets on this cooktop are strong enough to hold and move even the heaviest of cookware.

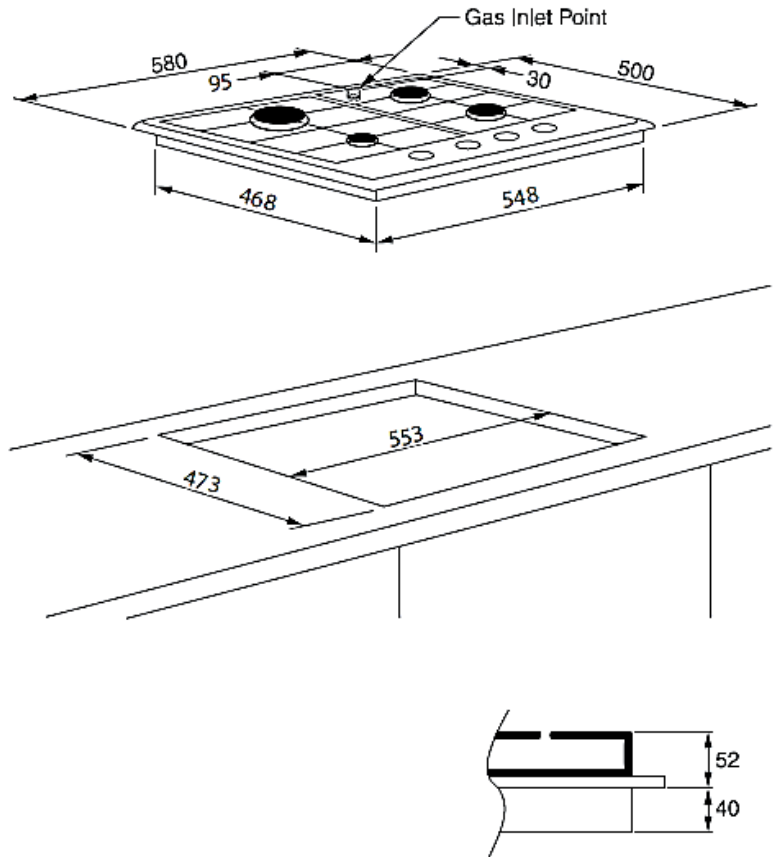
Design

This cooktop has been designed to compliment all of the cooking appliances in the Bellissimo range.

TB64GSS-3



600mm Stainless steel gas cooktop



These dimensions are a guide only, please refer to product manual for up to date dimensions and product information

Dimensions	Width	Height	Depth
Cut-out (mm)	553		473
Product (mm)	580	40	500

READ THE INSTRUCTION BOOKLET BEFORE INSTALLING AND USING THE APPLIANCE.

The manufacturer will not be responsible for any damage to property or to persons caused by incorrect installation or improper use of the appliance. The manufacturer is not responsible for any inaccuracies, due to printing or transcription errors, contained in this handout. In addition, the appearance of the figures reported is also purely indicative.

The manufacturer reserves the right to make changes to its products when considered necessary and useful, without affecting the essential safety and operating characteristics.

Technika constantly seeks ways to improve the specifications and designs of their products.

Whilst every effort is made to produce up to date literature, this document should not be regarded as an infallible guide.

Actual product only should be used to derive cut out sizes.

All Technika Appliances must be installed by a qualified person/s with adherence to the relevant electrical, plumbing and AGA codes, with compliance being issued as required by state or national legislation.

Additionally all Technika Upright cookers must have chains installed correctly in adherence to the relevant AGA, and plumbing codes by the Licenced installer.

For maximum effectiveness and efficiency all rangehoods should be installed with the use of ductwork, by a licenced installer with adherence to the relevant state and national building codes and regulations.

All Technika appliances are for Domestic use only, and must be installed by a licence installer into Domestic Applications only, without exception and to the required Authorities guidelines. Any installation outside of this will VOID warranty. Alfresco areas are not a Domestic application.