

## Kitchen Sink Mixer with Nozzle on Black Hose

AR01260

**WELS:** 4 stars

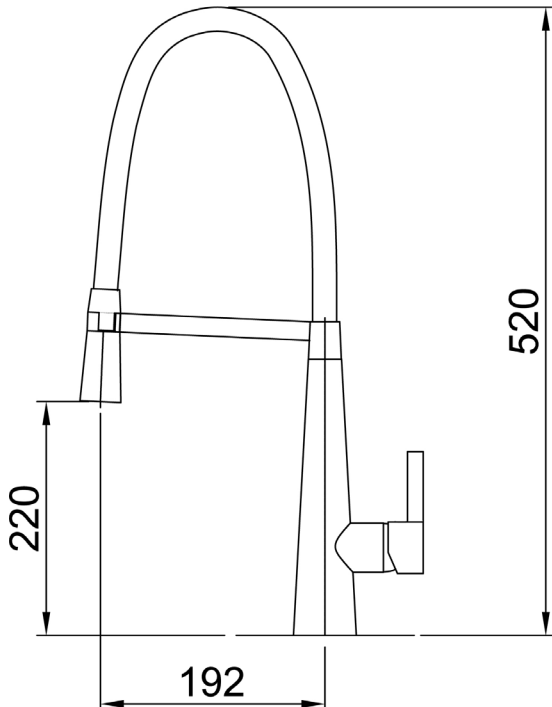
**Litres/minute:** 7.5L

**WELS License:** 1483

**Finish:** Chrome

**Custom Finishes available:**

Specialty finishes available upon request



Gentle conical shapes are the corner stone of this mixer's slender elegance.

Great functionality has been built in with the use of a removable nozzle mounted on a black hose. The comfortable, ergonomic handle combined with a world renowned European made ceramic disc cartridge, ensures a smooth and accurate operation.

Generously plated with the robust ShineOn chrome finish, your mixer will maintain its great looks for years to come. The 15 year warranty\* against leaking, ensures your mixer has a long trouble-free life.

**WARRANTY**  
15 years

\*Conditions apply.

streamline