

**Synergii wall faced pan, in-wall cistern, Kibo flush panel and slim line seat**

SY04184

**Package comprised of:** Synergii wall faced pan with slim line seat, Arcisan Slim concealed cistern with Kibo flush panel.



**Synergii Wall Faced Pan with Slim Line Seat**

SY04182



**Arcisan Slim Concealed Cistern**

ARO4430



**Kibo Flush Panel**

KBO4470

## Synergii Wall Faced Pan with Slim Line Seat

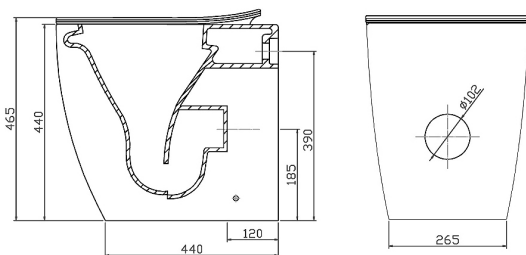
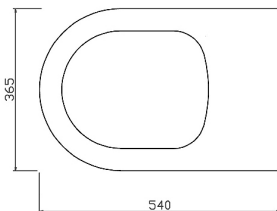
SY04152



**WELS:** 4 star

**Set Out:** S trap - 90mm  
P trap - 180mm

**Seat:** The seat is made by Haro, and is a heavy grade, removable, Soft Close® Seat. It is made from Duraplas®, which is a material that is both very hygienic and UV stabilised.



The Synergii Wall Faced Pan with Slim Line Seat is part of a radical new approach to product design that combines the geometric with the organic.

It has all the features of a modern toilet including the rimless flushing technology, special easy to clean glazing and a removable slim line soft close seat.



\*Conditions apply.

streamline

## Slim Concealed Cistern

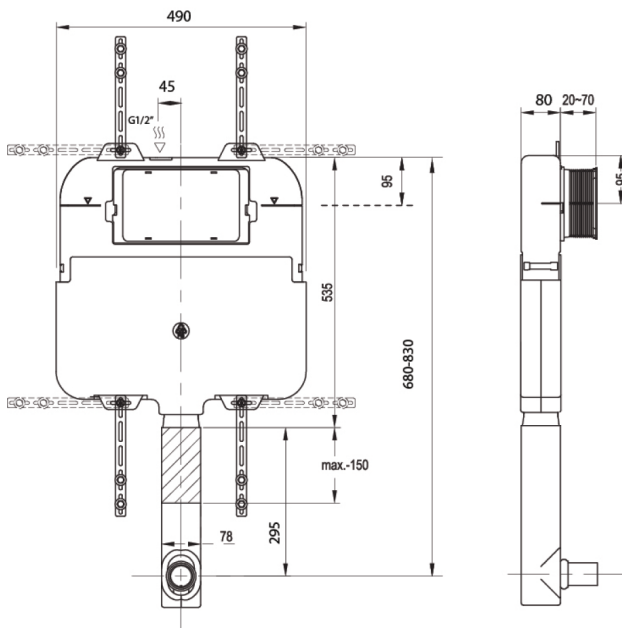
ARO4430

**WELS:** 4 star

**Litres/min:** 4.5 / 3

**Inlet Position:** Top left

**Material:** High density polyethylene



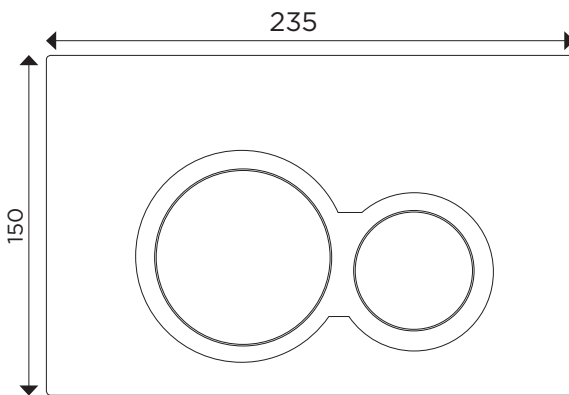
The slim concealed, dual flush cistern is made from high density polyethylene. Due to its slim design, the cistern can be installed in a standard 90mm metal or timber stud wall application.

## Kibo Button Set

KBO4470

---

**Finish:** Chrome plated



Mechanical push plate for concealed cistern.