

Stainless steel microwave with grill + trim kit

Product Features

- 28 litre capacity
- 900W
- Grill power 1100W
- Stainless steel cavity
- 99 minute digital timer
- 9 automatic cooking menus
- Defrost by weight or time
- Connection 10amp



LED display with sensor touch controls

The LED display highlights everything you need to know about the progress of your meal, from the time your meal will be ready, to what function you have chosen. Sensor touch controls mean no protruding dials, so cleaning is easy.

1100W grill

This microwave has an 1100W grill, perfect for toasting, browning, or melting toppings.

Trim kit The trim kit that comes with this microwave vents air out of your cabinetry, protecting cabinets from moisture or heat damage.

Easy to clean

A stainless steel finish, glass door, and sensor touch controls make cleaning quick and easy.

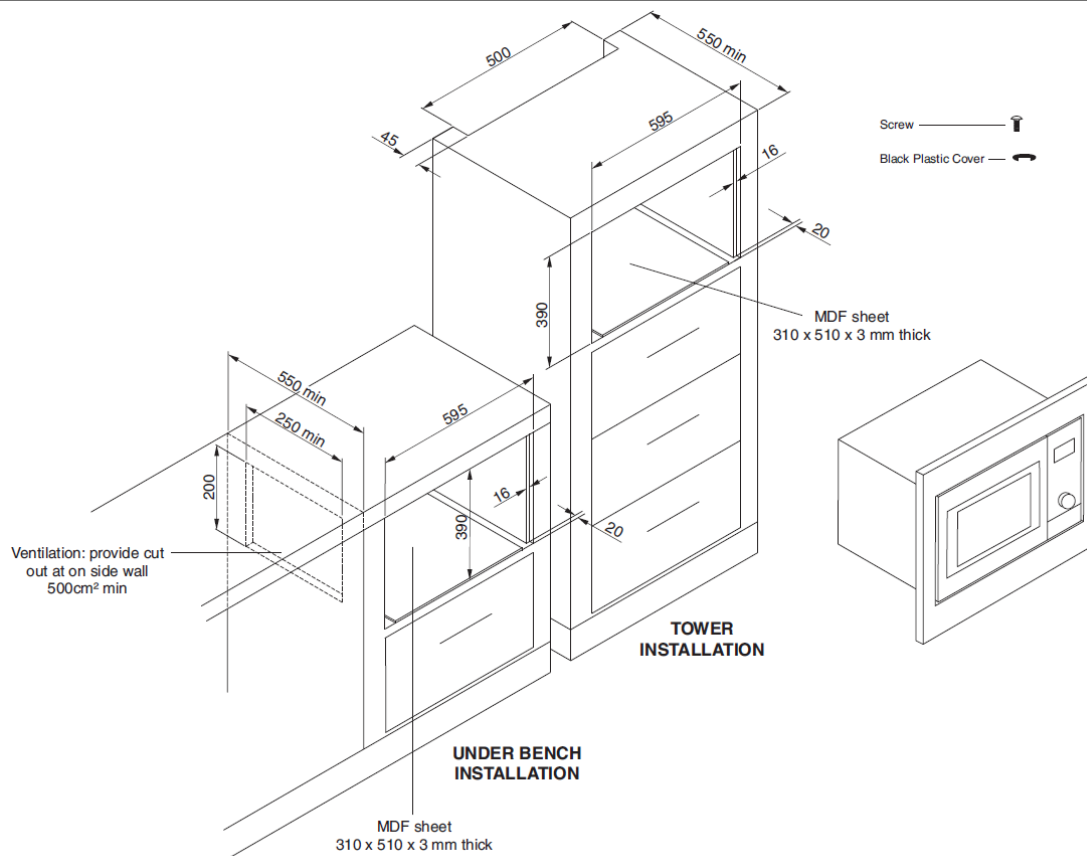
Fast heat

A microwave is perfect for when you need your food heated quickly. With 10 automatic cooking menus and defrost by weight or time your food will be ready exactly when you want it to be.

Design

This microwave with grill has been designed to compliment all of the cooking appliances in Technika's range.

Stainless steel microwave with grill + trim kit



These dimensions are a guide only, please refer to product manual for up to date dimensions and product information

Dimensions	Width	Height	Depth
Cut-out (mm)	595	390	600
Product (mm)	594	390	450

READ THE INSTRUCTION BOOKLET BEFORE INSTALLING AND USING THE APPLIANCE.

The manufacturer will not be responsible for any damage to property or to persons caused by incorrect installation or improper use of the appliance. The manufacturer is not responsible for any inaccuracies, due to printing or transcription errors, contained in this handout. In addition, the appearance of the figures reported is also purely indicative.

The manufacturer reserves the right to make changes to its products when considered necessary and useful, without affecting the essential safety and operating characteristics.

Technika constantly seeks ways to improve the specifications and designs of their products.

Whilst every effort is made to produce up to date literature, this document should not be regarded as an infallible guide.

Actual product only should be used to derive cut out sizes.

All Technika Appliances must be installed by a qualified person/s with adherence to the relevant electrical, plumbing and AGA codes, with compliance being issued as required by state or national legislation.

Additionally all Technika Upright cookers must have chains installed correctly in adherence to the relevant AGA, and plumbing codes by the Licenced installer.

For maximum effectiveness and efficiency all rangehoods should be installed with the use of ductwork, by a licenced installer with adherence to the relevant state and national building codes and regulations.

All Technika appliances are for Domestic use only, and must be installed by a licence installer into Domestic Applications only, without exception and to the required Authorities guidelines. Any installation outside of this will VOID warranty. Alfresco areas are not a Domestic application.