

EVERHARD SPEC PACK



PRODUCT INFO | IMAGES | DRAWINGS

PRODUCT

Classic Standard 1180 NTH 2
Bowl & Drainer

EI CODE

72130

BRAND

Classic



Interior
Products

Drainage
Solutions

Environmental

Civil &
Commercial

SPEC PACK KITCHEN COLLECTION

SPEC SHEET



CLASSIC STANDARD 1180 NTH 2 BOWL & DRAINER

PRODUCT CODE:

72130

FEATURES:

- / 304 Stainless Steel Bowl
- / 2 x 22L Capacity
- / 90mm basket waste
- / Suitable for garbage disposal connection

OVERALL DIMENSIONS:

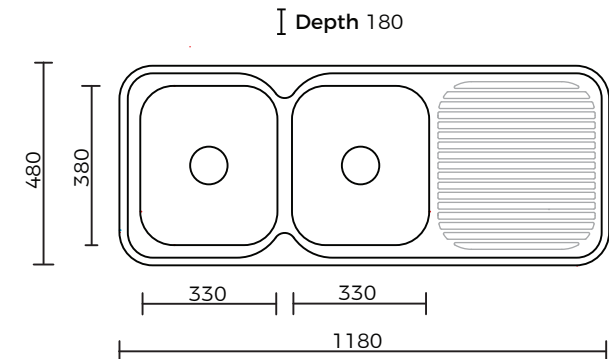
1180 L x 480 W x 180mm D

PRODUCT VARIATIONS:

- 73137 | Classic Standard 1180 1TH LH 2 Bowl & Drainer
- 73136 | Classic Standard 1180 1TH RH 2 Bowl & Drainer

WARRANTY:

25 years



Disclaimer: All measurement are in millimetres and are solely for reference purposes. Colours have been reproduced with as much accuracy as possible. Any changes resulting from technical advance of design or colour may be made without prior notice. Tapware, accessories and appliances are for illustration purposes only. Further information on warranties is available at www.everhard.com.au

SPEC PACK KITCHEN COLLECTION

PRODUCT DRAWING

