

EVERHARD SPEC PACK



PRODUCT INFO | IMAGES | DRAWINGS

PRODUCT

Excellence Squareline Single
Bowl & Drainer

EI CODE

72155

BRAND

Excellence



SPEC PACK KITCHEN COLLECTION

SPEC SHEET



EXCELLENCE SQUARELINE SINGLE BOWL & DRAINER

PRODUCT CODE:

72155

FEATURES:

- / 304 Stainless Steel bowl
- / 90mm basket waste
- / 34.4L capacity
- / Suitable for garbage disposal connection
- / Sink bench fixing clips
- / Undermount or top mount

OVERALL DIMENSIONS:

870 L x 440 W x 200mm D

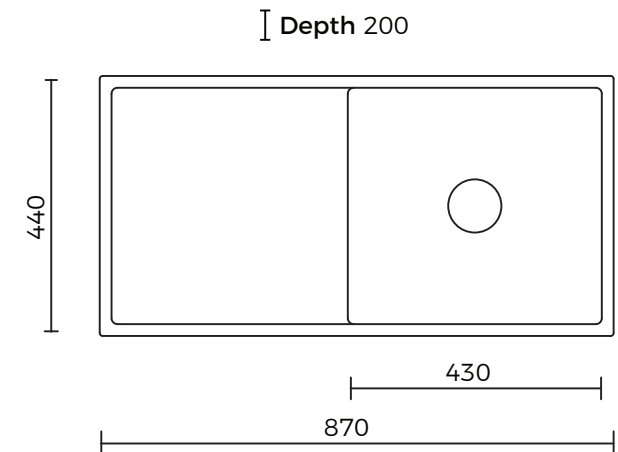
WARRANTY:

30 years

ADDITIONAL EXTRAS:

97942- Excellence Squareline Accessories Kit
(cutting board and colander)

97899 - Draining Tray



Disclaimer: All measurement are in millimetres and are solely for reference purposes. Colours have been reproduced with as much accuracy as possible. Any changes resulting from technical advance of design or colour may be made without prior notice. Tapware, accessories and appliances are for illustration purposes only. Further information on warranties is available at www.everhard.com.au

SPEC PACK KITCHEN COLLECTION

PRODUCT DRAWING

