


FISHER & PAYKEL

DISHWASHER

DW60U6I & DW60U2I models

INSTALLATION GUIDE

NZ AU

⚠ WARNING!	
	<p>Electrical shock hazard Before installing the dishwasher, remove the house fuse or open the circuit breaker.</p> <p>This appliance must be earthed. In the event of a malfunction or breakdown, earthing will reduce the risk of electric shock by providing a path of least resistance for electric current. This appliance is equipped with a cord having an equipment-earthing conductor and an earthing plug. The plug must be plugged into an appropriate outlet that is installed and earthed in accordance with all local codes and ordinances.</p> <p>WARNING- Improper connection of the equipment-earthing conductor can result in a risk of electric shock. Check with a qualified electrician or service representative if you are in doubt as to whether the appliance is properly earthed.</p> <p>Do not modify the power supply plug provided with the appliance - if it will not fit the outlet, have a proper outlet installed by a qualified electrician. Do not use an extension cord, adapter plug or multiple outlet box.</p> <p>Fitting integrated front panels requires access to electrical service areas. This work must be performed and certified by a qualified electrical service technician.</p> <p>Failure to follow this advice may result in electrical shock or death.</p>

⚠ WARNING!	
	<p>Cut Hazard Take care - panel edges are sharp. Failure to use caution could result in injury or cuts.</p>

⚠ WARNING!	
 100 lb 45 kg	<p>Very Heavy Do not attempt to lift this product unassisted. Lifting unassisted may cause serious injury</p>

IMPORTANT SAFETY INSTRUCTIONS

- Installation of this dishwasher requires basic mechanical and electrical skills.
- Be sure to leave these Instructions with the Customer.
- Installation must comply with your local building and electricity regulations.
- At the completion of the dishwasher installation, the Installer must perform the Final Checklist.
- Remove all packaging materials supplied with the dishwasher.

IMPORTANT SAFETY INSTRUCTIONS

- Ensure all water connections are turned OFF. It is the responsibility of the plumber and electrician to ensure that each installation complies with all Codes and Regulations.
- The dishwasher **MUST** be installed to allow for future removal from the enclosure if service is required.
- The switched power outlet must be outside the dishwasher cavity, so that it is accessible after installation.
- This dishwasher is manufactured for indoor use only.
- Care should be taken when the appliance is installed or removed to reduce the likelihood of damage to the power supply cord and hoses.
- If the dishwasher is to be relocated from one installation to another it must be kept upright to avoid damage from water spillage.
- Make sure only new hoses are used for connection (supplied with the dishwasher). Old hoses should not be reused.
- Failure to install the dishwasher correctly could invalidate any warranty or liability claims.
- If the power supply cord is damaged, it must be replaced by a dealer or Authorised Repairer or a similar qualified trades person in order to avoid a hazard.
- Ensure the dishwasher is placed between cabinetry. Failure to do so may result in an unstable product, which may cause damage or injury.
- Do not operate this appliance if it is damaged, malfunctioning, partially disassembled or has missing or broken parts, including a damaged power supply cord or plug.
- Do not store or use petrol, or other flammable vapours and liquids in the vicinity of the dishwasher.
- Connect to a properly rated, protected and sized power supply circuit to avoid electrical overload.
- Make sure that the power supply cord is located so that it will not be stepped on, tripped over or otherwise subject to damage or stress.
- Do not install or store the dishwasher where it will be exposed to temperatures below freezing or exposed to weather.
- Do not use an extension cord or a portable electrical outlet device (e.g. multi-socket outlet box) to connect the dishwasher to the power supply.
- This appliance must be earthed. In the event of a malfunction or breakdown, earthing will reduce the risk of electric shock by providing a path of least resistance for electric current.
- This appliance is equipped with a cord having an equipment-earthing conductor and a earthing plug. The plug must be plugged into an appropriate outlet that is installed and earthed in accordance with all local codes and ordinances.
- **EARTHING INSTRUCTIONS** - This appliance must be connected to a earthed metal, permanent wiring system, or an equipment-earthing conductor must be run with the circuit conductors and connected to the equipment-earthing terminal or lead on the appliance.
- Ensure the product is not plugged in when fitting custom panels.
- Installation of custom panels requires basic mechanical and electrical skills.
- Installation must comply with your local building and electricity regulations.
- Failure to install the custom panels correctly could invalidate any warranty or liability claims.

IMPORTANT! SAVE THESE INSTRUCTIONS

The models shown in this installation guide may not be available in all markets and are subject to change at any time. For current details about model and specification availability in your country, please go to our website www.fisherpaykel.com or contact your local Fisher & Paykel dealer.

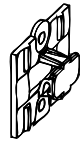
2 PARTS SUPPLIED



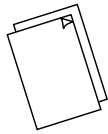
Inlet hose (1)



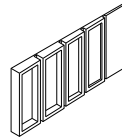
Drain hose support (1)



Plastic slider (1)



Installation guide and template and user instructions



Plastic spacers (2)



Moisture protection tape (1) (to prevent moisture damage to cabinetry)



Hex key (1)



Brackets for toekick (2)

Ø3.9 x 38mm screws (4)

Ø3.9 x 13mm screws (4)

Ø3.5 x 12mm screws (4)

Ø4 x 25mm screws (4)

3 TECHNICAL DATA

Technical data

Check the electrical data on the rating label (located on the left-hand side of the dishwasher's stainless steel inner door). Should the data on the rating label be different to those specified below, consider those on the rating label as correct.

	DW60U2I1 models	DW60U6I1 models
Capacity	15 place settings	15 place settings
Mains water pressure	0.03-1 MPa (= 0.3-10 bar)	0.03-1 MPa (= 0.3-10 bar)
Power voltage	220-240 V (50 Hz)	220-240 V (50Hz)
Maximum current intensity	10 A	10 A
Total absorbed power	1720-2050 W	1720-2050 W

Anti-flood protection

This dishwasher has anti-flood protection, which will stop the water flowing in the event of a leak within the machine.

4 PRIOR TO INSTALLATION

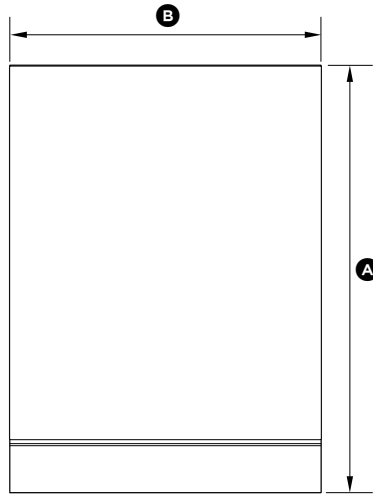
Unpacking and handling

- Check packaging and dishwasher for signs of transport damage. If the dishwasher is in any way damaged, do not install it. Contact the dealer the dishwasher was purchased from.
- Disposal of packaging: some of the packaging is recyclable. Check the symbols and labels and recycle if possible.
- Always be careful with the hoses and power cord at the back of the dishwasher. Careful handling will prevent damage and malfunction from squashing, kinking or cuts.
- While installing the dishwasher, check the drain hose is not restricted or kinked.

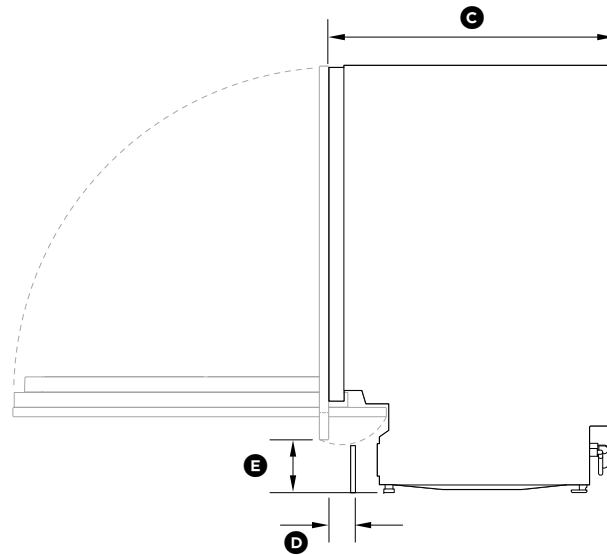
Connections and services

- Check that the power cord is long enough to reach the outlet. If it isn't, it must be replaced by a Fisher & Paykel authorised technician. Extension cords or multi-outlet power boards should not be used to connect the dishwasher to the power supply.
- Check that the hoses are long enough to reach the services. If a hose needs extending, ensure that the extension hose is new and of equal quality and diameter to the one already fitted. Note: the drain hose should not be longer than 4 m, as a longer drain hose will cause reduced performance.
- The dishwasher should not be connected to a water system where the temperature exceeds 60°C, or where there is no temperature control, e.g. wetback system, unless the system is fitted with a suitable tempering valve.
- The dishwasher must not be connected to an undersink high-pressure "push-through" type hot water system, as damage to the system will result.

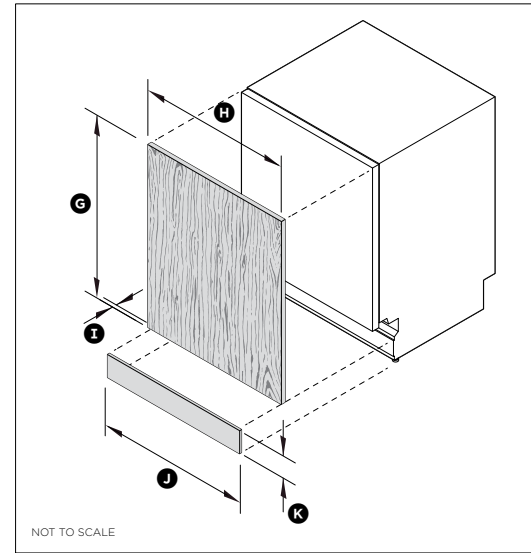
5 PRODUCT DIMENSIONS



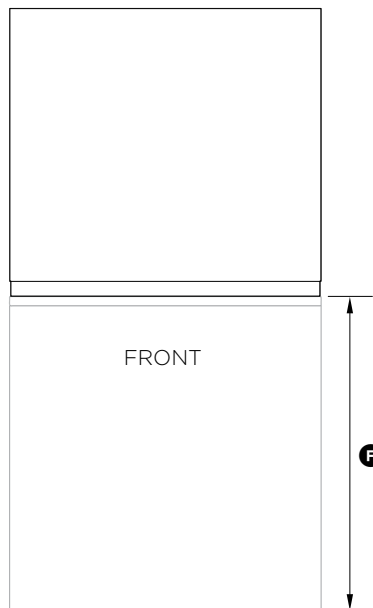
PLAN



PROFILE



NOT TO SCALE



FRONT

DD60DU

PRODUCT DIMENSIONS

	MM
(A) Overall height of product*	820 - 880
(B) Overall width of product (excl. side seals)	598
(C) Overall depth of product (excl. custom panel & handle)	552
(D) Depth of toe kick	30 - 90
(E) Height from floor to bottom of custom panel	100 - 212
(F) Depth of open door (measured from front of chassis) (excl. custom panel)	606

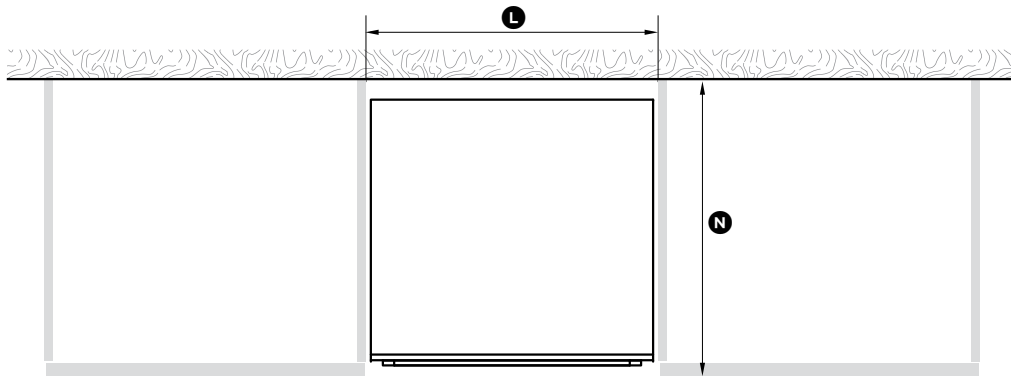
* depending on adjustment of levelling feet

CUSTOM PANEL DIMENSIONS (custom made)

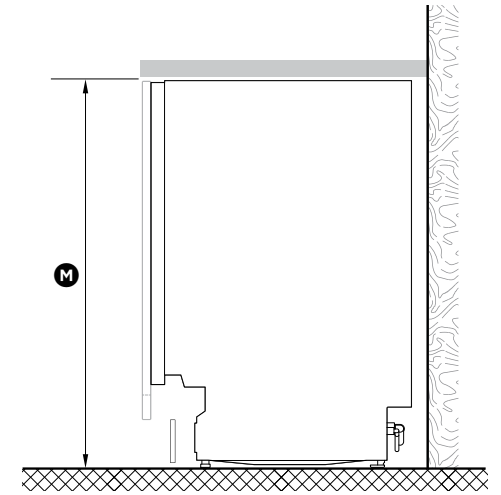
	MM
(G) Height of custom door panel	665 - 717
(H) Width of custom door panel	596 - 605
(I) Depth of custom door panel	16 - 19
(J) Width of custom toe kick panel	596 - 605
(K) Height of custom toe kick panel***	80 - 200

* depending on cabinetry dimensions

6 CABINETS DIMENSIONS



PLAN

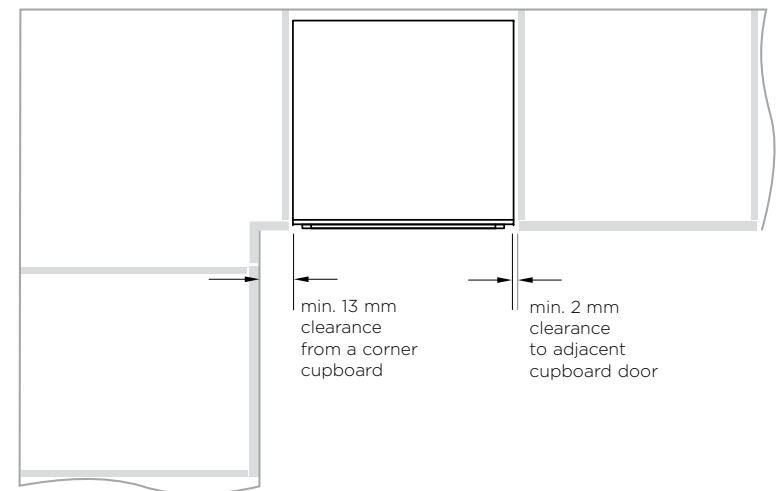


PROFILE

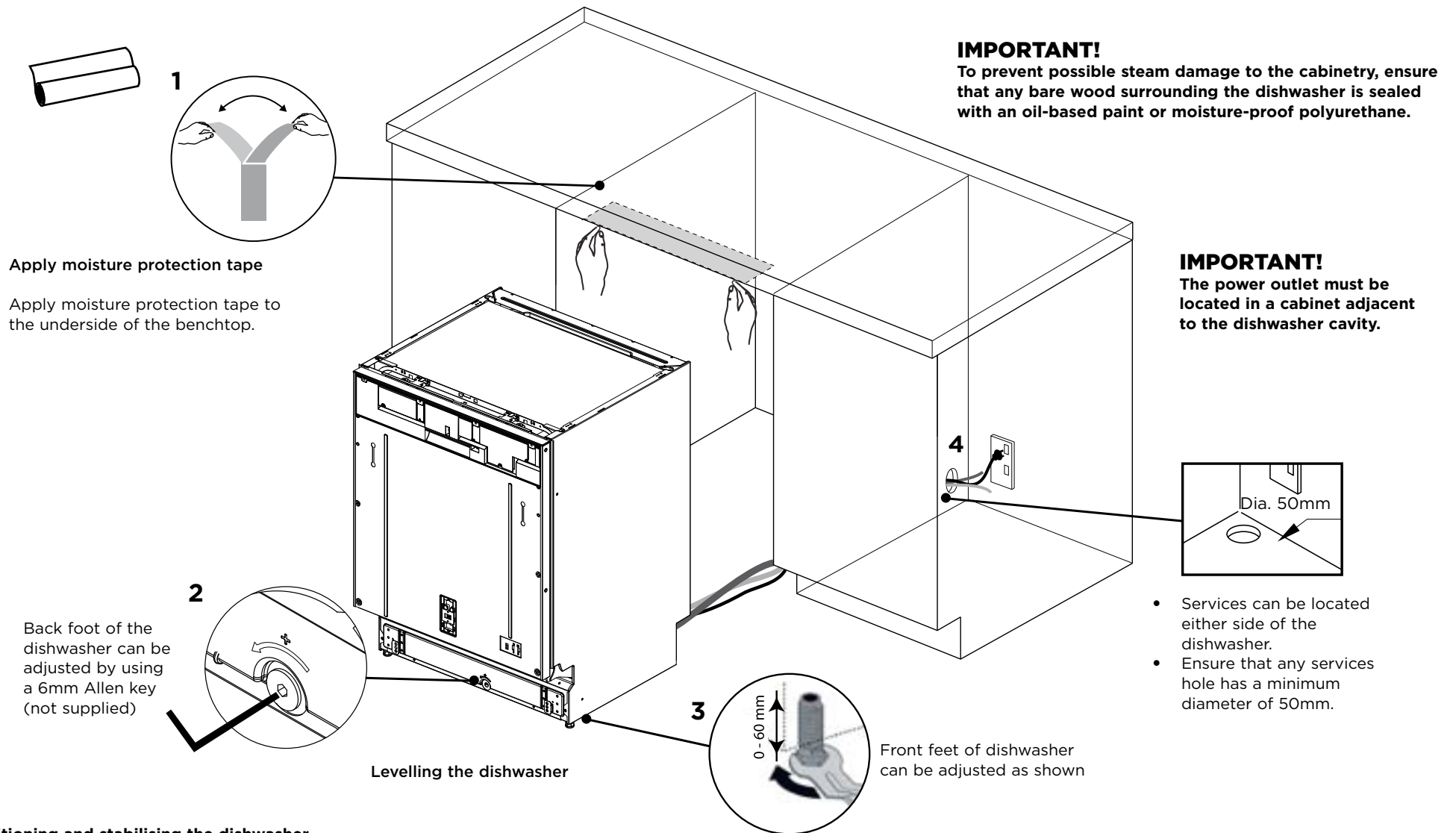
DD60DU	
CABINETS DIMENSIONS	MM
Ⓛ Inside width of cavity	600 - 610
Ⓜ Inside height of cavity*	820 - 880
Ⓝ Inside depth of cavity	min. 574

* depending on adjustment of levelling feet

Minimum clearances from adjacent cabinetry



⑦ CAVITY PREPARATION



Apply moisture protection tape

Apply moisture protection tape to the underside of the benchtop.

Back foot of the dishwasher can be adjusted by using a 6mm Allen key (not supplied)

Levelling the dishwasher

Front feet of dishwasher can be adjusted as shown

Positioning and stabilising the dishwasher

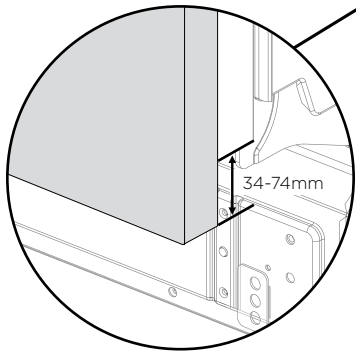
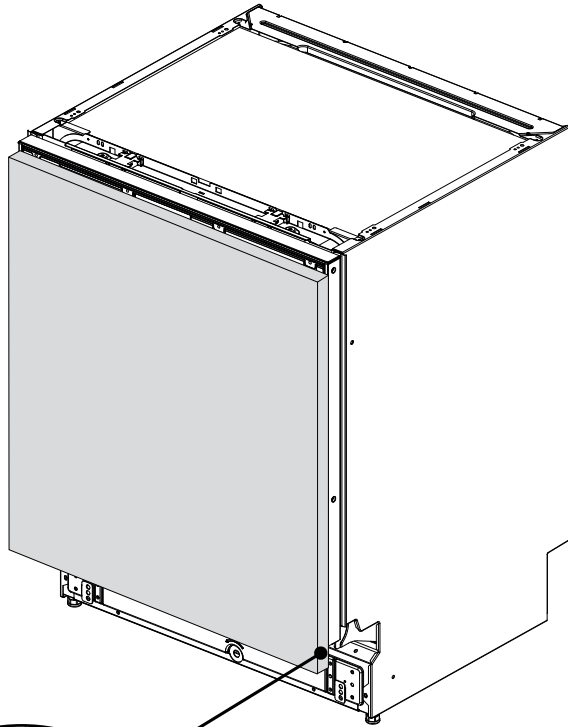
- Do not lift the dishwasher from the door handle.
- As you push product in, pull through hoses and cord, ensuring they don't get kinked or twisted.
- Plastic spacers can now be inserted at the side of the dishwasher next to the hinge to improve stability - see step 11 for details on fitting spacers
- After sliding the dishwasher into position, adjust back foot with a 6mm Allen key. The front feet can be adjusted manually also.
- We recommend that you adjust the feet so that the dishwasher sits securely under the bench top so that it doesn't tip.

8 CUSTOM DOOR PANEL PREPARATION

FRONT PANEL MATERIAL SPECIFICATIONS

The front of the dishwasher can be fitted with a front panel with the following specifications:

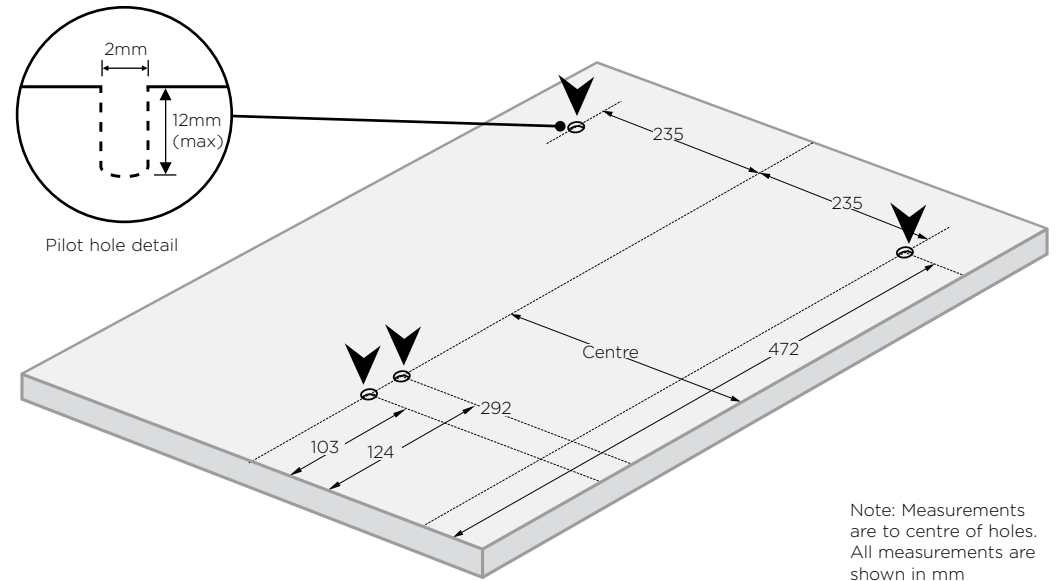
- Adequately sealed to withstand moisture (50°C @ 80% RH). Because of it being a hot and wet environment generally, the back and sides of the panel should be completely sealed with a waterproof vapor barrier (ie polyurethane) to prevent damage to the panel.



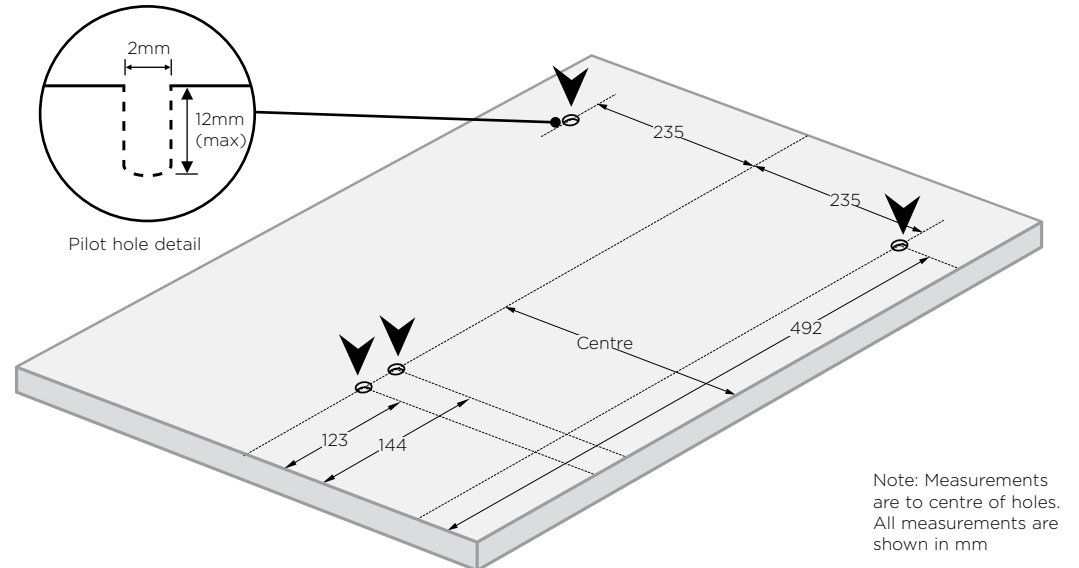
- 1 Measure custom panel and check overhang length from the base of the door. If overhang is between 34mm and 54mm go to step 2A, if overhang is between 54mm and 74mm go to step 2B

2MM PILOT HOLE LOCATIONS FOR FIXINGS

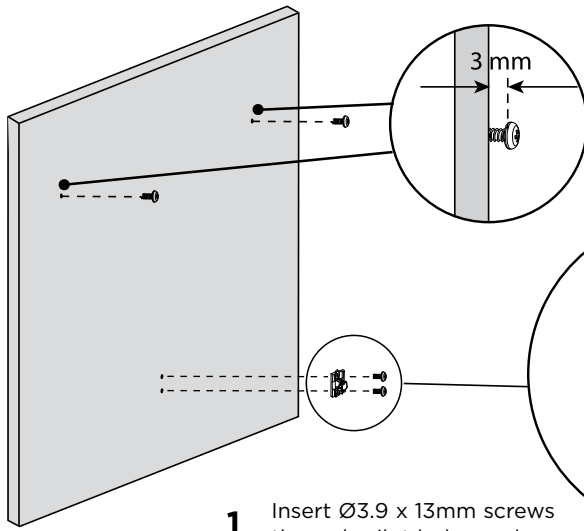
- 2A If the overhang of your panel is between **34mm and 54mm** use the below guide to mark out the locations for your fixings.



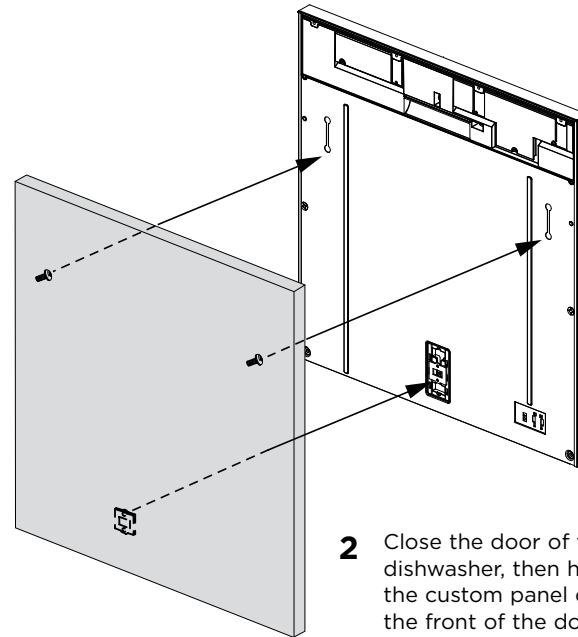
- 2B If the overhang of your panel is between **54mm and 74mm** use the below guide to mark out the locations for your fixings.



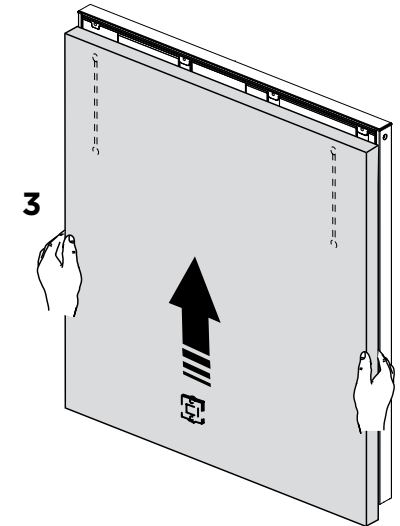
9 ATTACHING CUSTOM DOOR PANEL



- 1** Insert $\text{Ø}3.9 \times 13\text{mm}$ screws through pilot holes and attach the small slider bracket to panel.

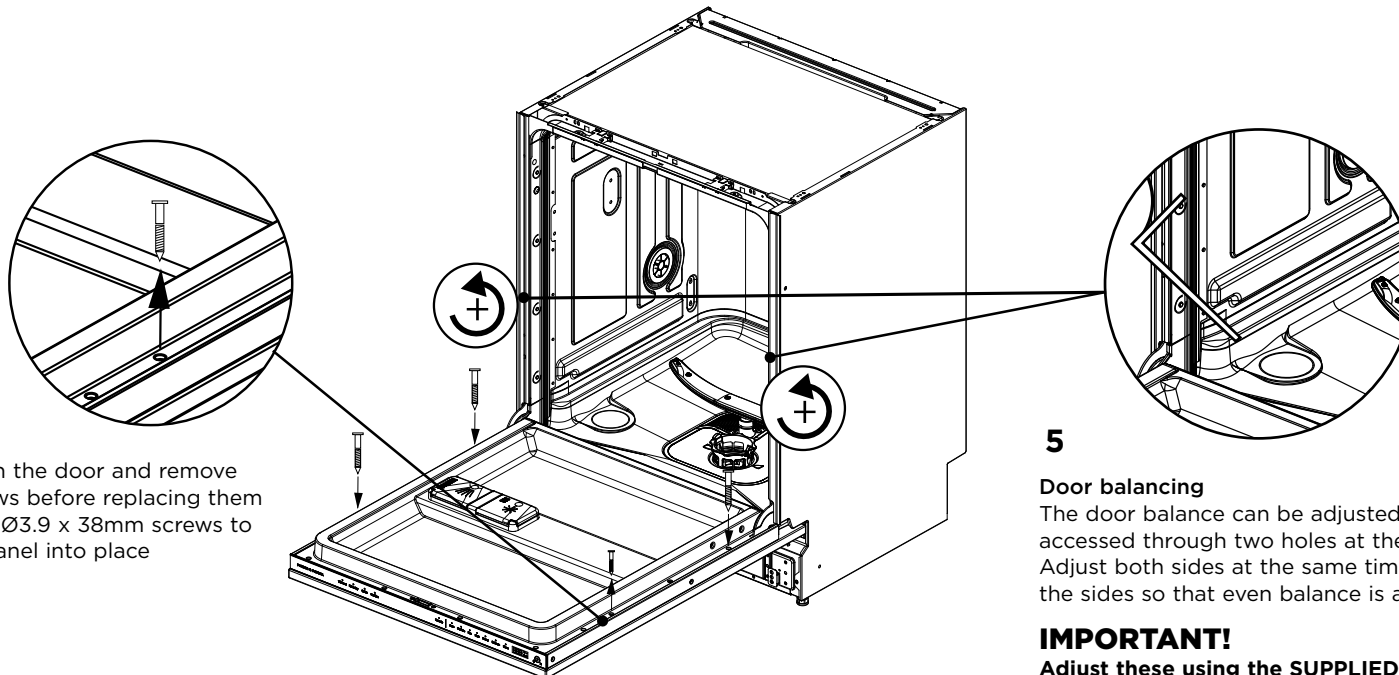


- 2** Close the door of the dishwasher, then hang the custom panel onto the front of the door.



- 3** Adjust the placement of the door to the correct position.

IMPORTANT!
Ensure that the base of the custom panel is not installed too close to the floor that it will inhibit the visibility of the floor light.

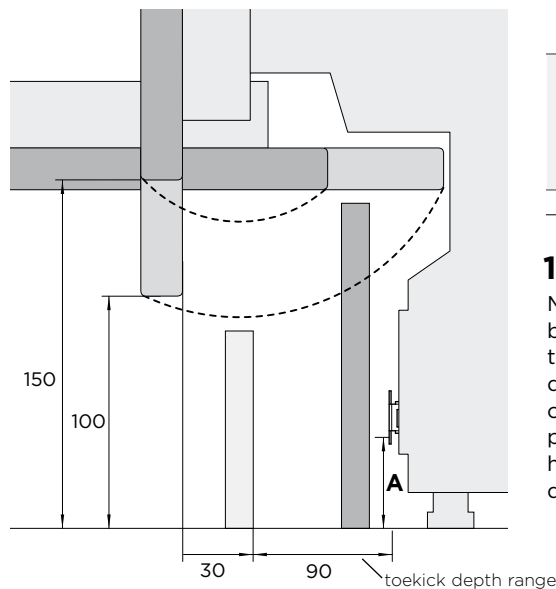


- 4** Open the door and remove screws before replacing them with $\text{Ø}3.9 \times 38\text{mm}$ screws to fix panel into place

- 5** **Door balancing**
The door balance can be adjusted via two screws accessed through two holes at the front. Adjust both sides at the same time, alternating between the sides so that even balance is achieved.

IMPORTANT!
Adjust these using the SUPPLIED HEX KEY ONLY until the door just remains open under its own weight.

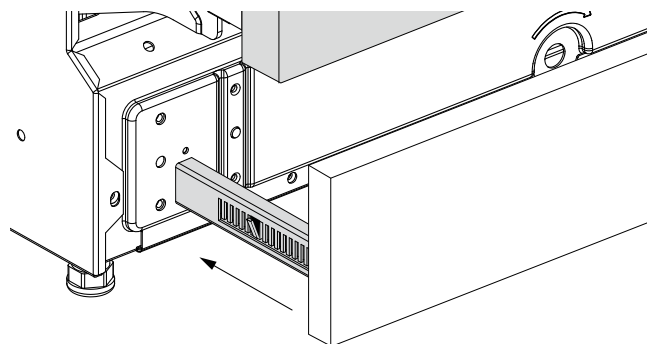
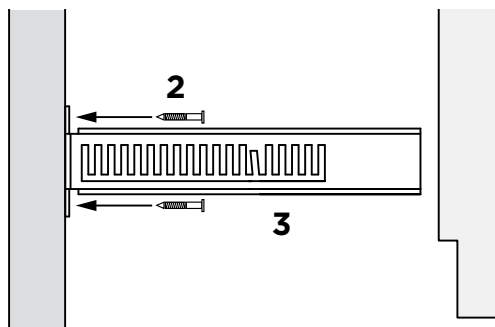
10-A TOE KICK INSTALLATION - SEPARATE PANEL



1
Mark out the pilot hole locations for each bracket. To establish the height in which the bracket will be fixed, measure the distance from the floor to the lowest hole of the bracket. Remove bracket from the product and plot the location of the other holes relative to this measurement. Note door overhang and swing range.

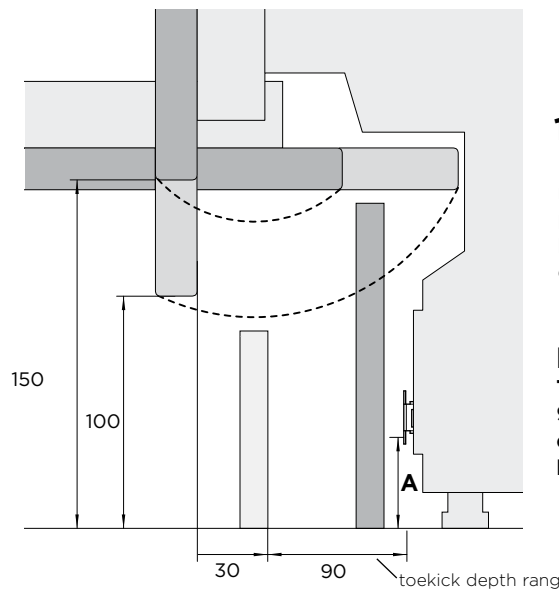
Fix brackets to panel using Ø3.5 x 12mm screws. Insert toe kick into product and mark the desired alignment depth on the bracket. Remove panel. Using a screwdriver, bend the marked tabs out on both brackets to prevent toe kick from receding into product further.

IMPORTANT!
DW60U61 models only:
Toe kick can protrude no more than 90mm out from the dishwasher to ensure that the visibility of the floor light is not obstructed.



4
Slide toe kick firmly into the spaces on either side of the chasis to attach.

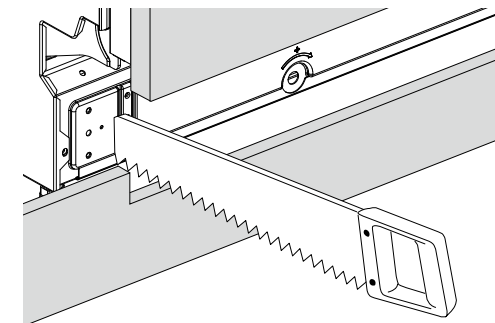
10-B TOE KICK INSTALLATION - CONTINUOUS PANEL



1
Note door overhang and swing range relative to height and depth of toe kick panel. As the panel is continuous, cutting back panel is likely to be necessary to ensure seamless integration.

IMPORTANT!
Toe kick can protrude no more than 90mm out from the dishwasher to ensure that the visibility of the floor light is not obstructed.

2
Align the toe kick to desired position and mark out the point in which the toe kick meets the base of the door panel. Cut back excess.

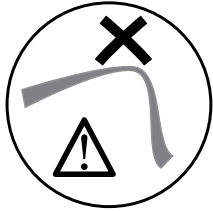


3
Fit continuous panel to surrounding cabinetry

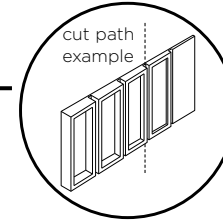
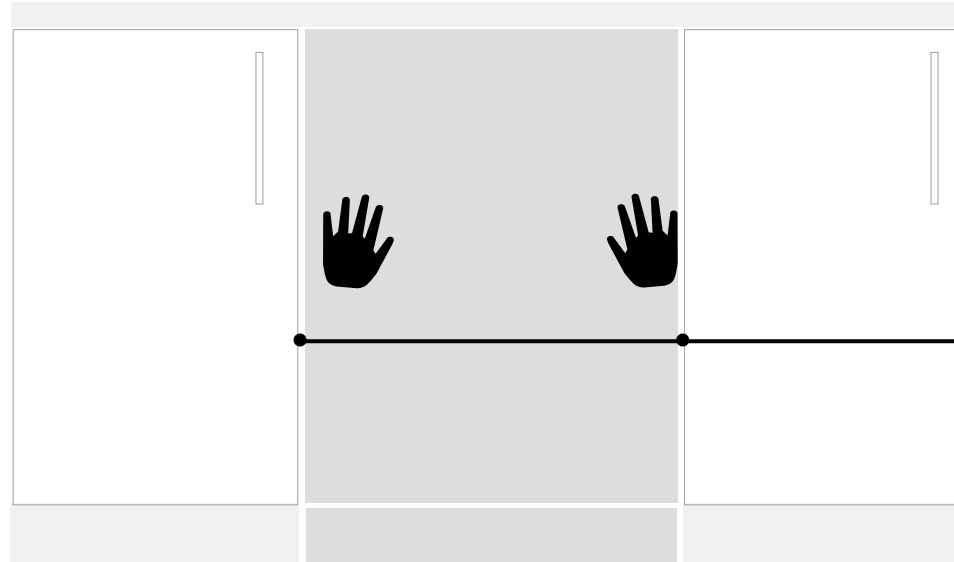
11 SECURING PRODUCT

Centre product

As you push product in, pull through hoses and cord, ensuring they don't get kinked or twisted.



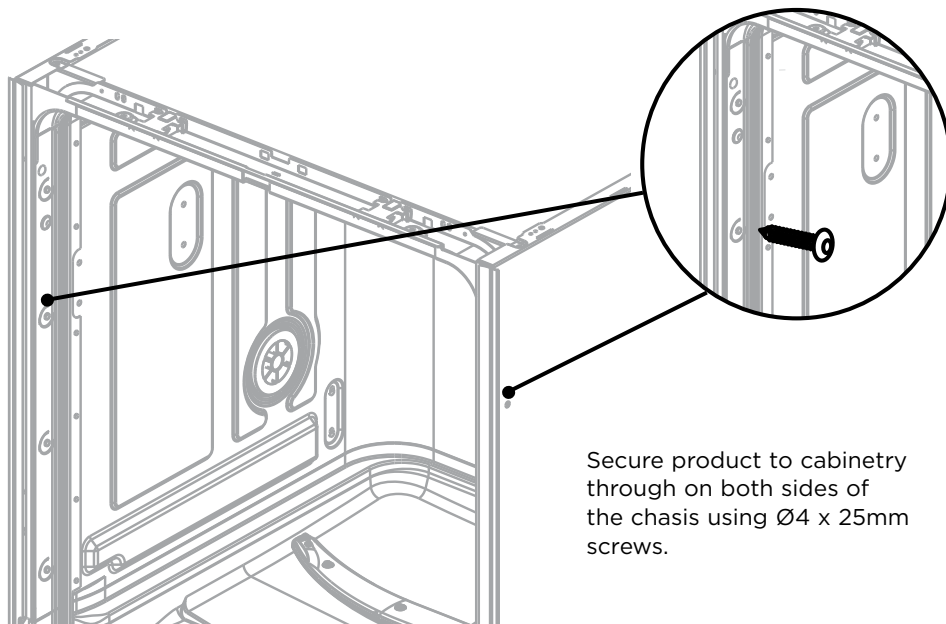
IMPORTANT!
Ensure top of door is installed flush with surrounding cabinetry



Plastic spacers can be cut to size then taped to the sides of the dishwasher to improve overall stability.

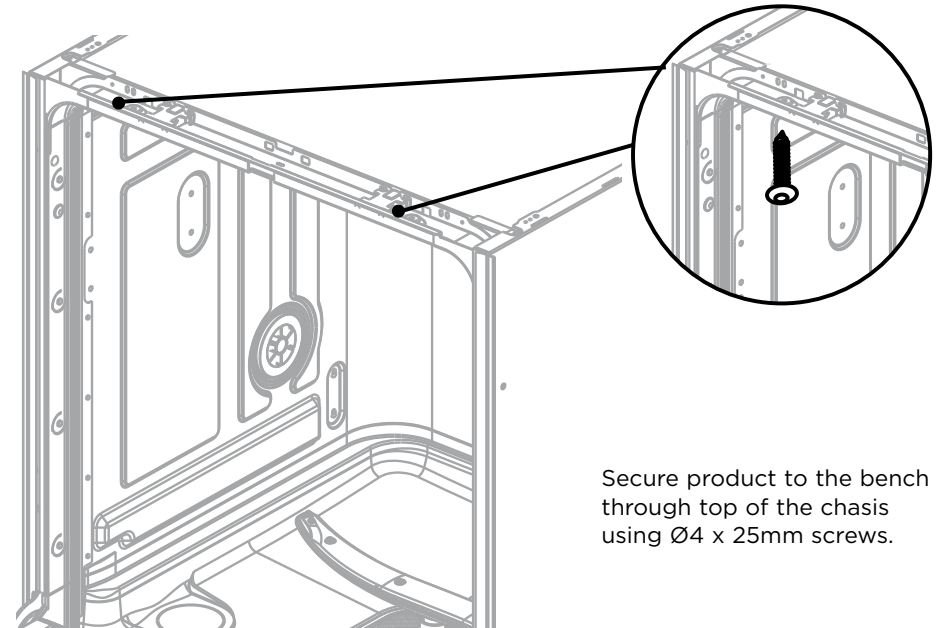
It is recommended that the spacers are placed on both sides near the hinges in identical positions.

12-A SECURE TO THE CABINETY ON THE SIDES



Secure product to cabinetry through on both sides of the chasis using $\text{Ø}4 \times 25\text{mm}$ screws.

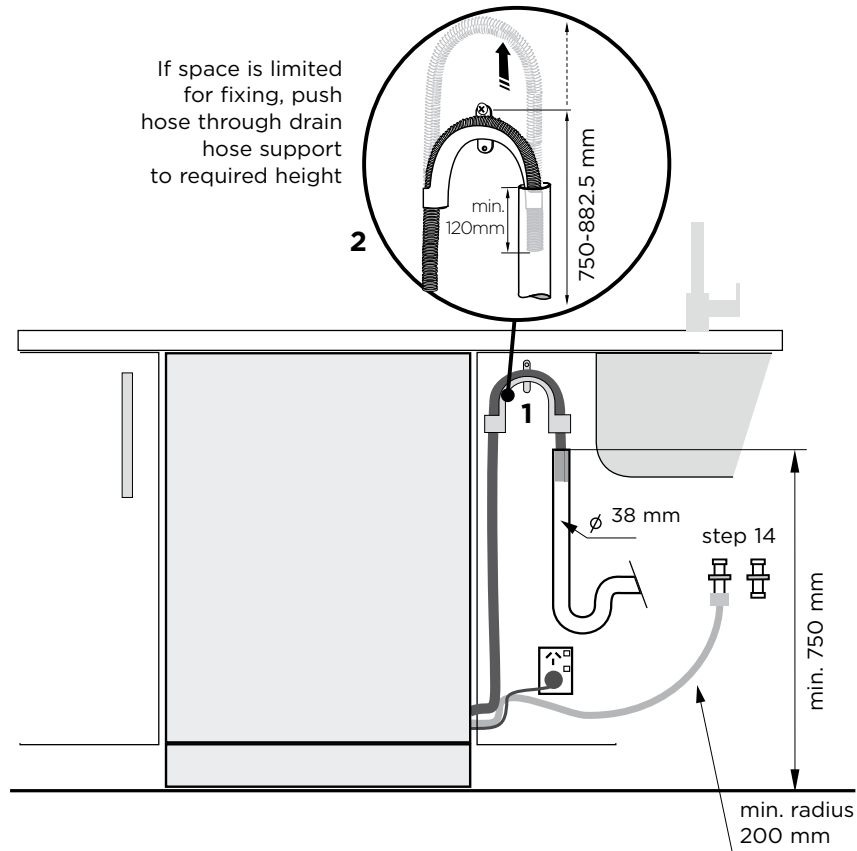
12-B OPTIONALLY SECURE TO THE CABINETY ABOVE



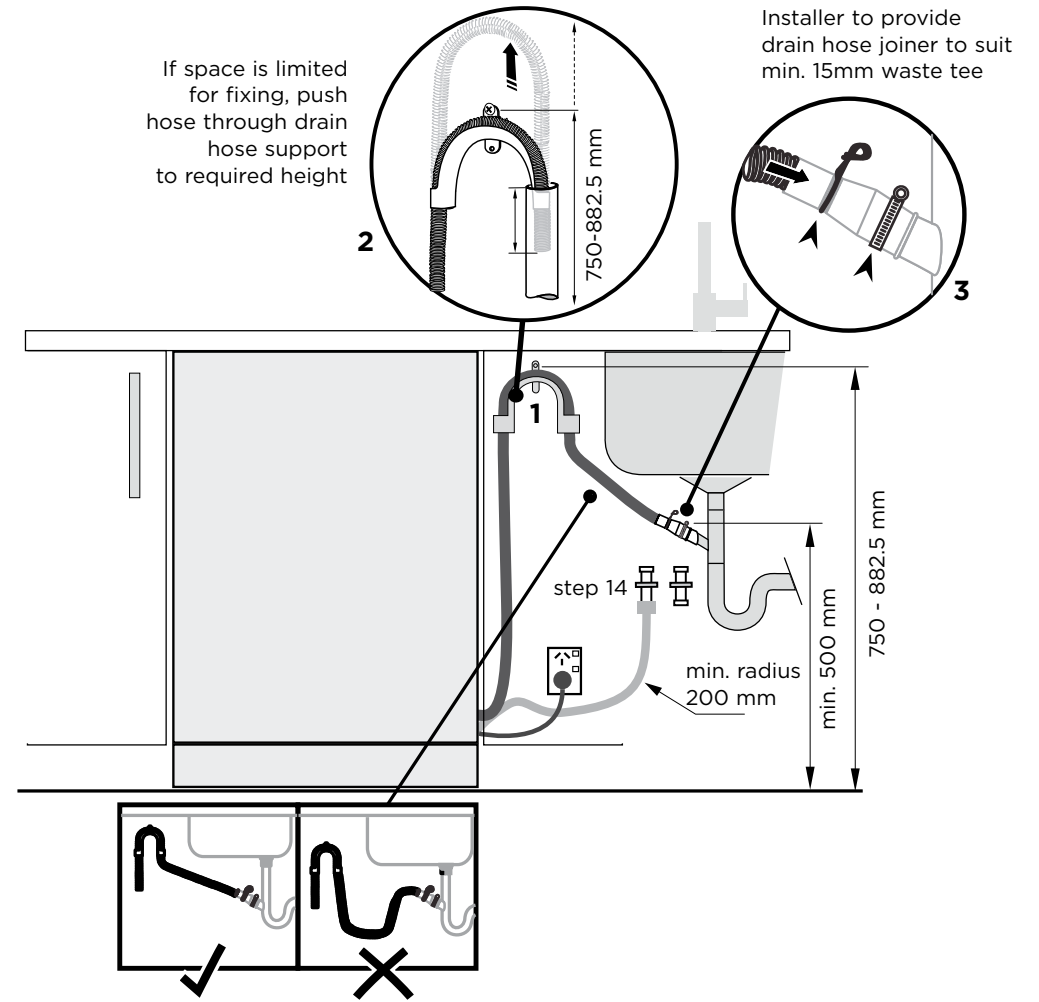
Secure product to the bench through top of the chasis using $\text{Ø}4 \times 25\text{mm}$ screws.

13 PLUMBING AND DRAINAGE OPTIONS. DETERMINE WHICH IS MORE SUITABLE.

Dishwasher and Ø 38 mm Standpipe



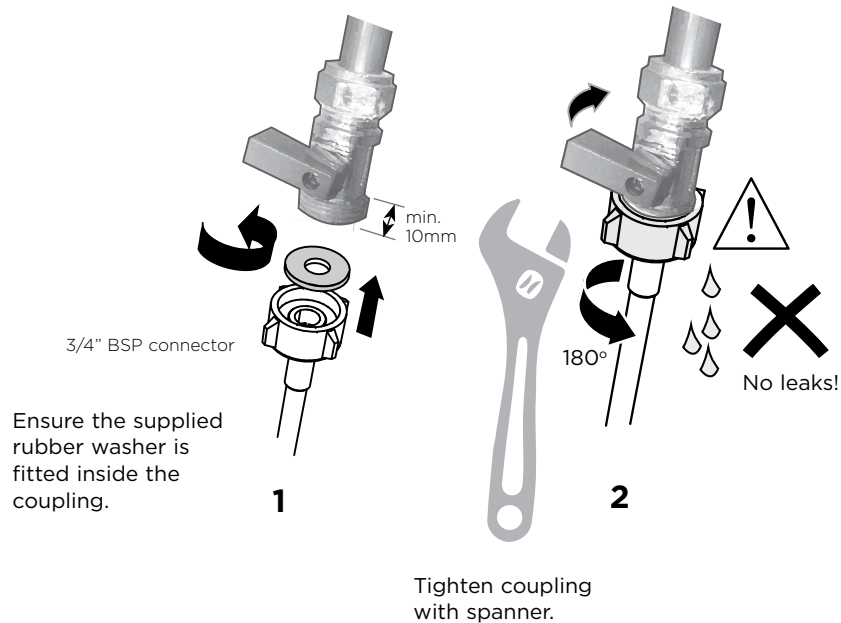
Dishwasher using drain hose joiner onto sink trap/waste tee



Ensure drain hose is routed straight to joiner. Remove excess drain hose material if necessary. Do not shorten the inlet hose.

IMPORTANT!
Do not connect the drain hoses to a Waste Disposal Unit, as this type of connection may lead to a blockage in the drain hoses.

14 CONNECT INLET HOSE TO COLD WATER



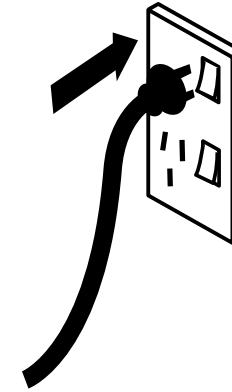
Plumbing -- Water inlet connection

IMPORTANT!

- **The appliance should be connected to the water main using the new water inlet hose supplied. Old hoses should not be used.**
- **Do not shorten the inlet hose.**

- ① Take note of water connection requirements.
 - The dishwasher has a single valve water connection.
 - We recommend a cold water connection for best performance and energy efficiency.
 - The incoming water temperature should not exceed 25°C.
- ② Take note of the permitted water pressure extremes.
 - Lowest: 0.3 bar = 3 N/cm² = 30kPa
 - Where pressure is below 1 bar, contact a qualified plumber.
 - Highest: 10 bar = 100 N/cm² = 1MPa
 - Where pressure is above 10 bar, a pressure reduction valve must be installed. Contact a qualified plumber.
- ③ Connect the water inlet hose to an accessible water tap with a 3/4" BSP connector. Ensure that there is no kink in the inlet hose that could restrict the flow of water. A 90° bend requires a minimum height of 200mm for a kink-free curve.
 - Ensure incoming water is clear. If the water pipes have not been used for a long period of time, let the water run to make sure it is clear with no impurities. Not doing so may result in the water inlet hose getting blocked and damaging the appliance.
 - If required, use a filter insert to filter out deposits from the piping. The filter insert is available from your Authorised Service Centre or Customer Care.
- ④ Tighten the hose coupling a further half turn after seal contact.
- ⑤ Check that the connection does not leak.

15 PLUG PRODUCT IN



Electrical connection

- The dishwasher must not be connected to the electrical supply while installation is being carried out. Ensure all domestic wiring is properly earthed.
- Check the rating label (located on the left-hand side of the dishwasher's stainless steel inner door) and ensure that the voltage and frequency values for the current in the house correspond to those on the rating label.
- Insert the plug into a properly earthed power outlet that has a disconnection switch.

IMPORTANT!

- **The earthing of the appliance is a safety requirement mandated by law.**
- **If the power cord is not long enough to reach the outlet or the outlet to which the appliance must be connected is not appropriate for the plug, the entire dishwasher power cord must be replaced. This should only be done by a Fisher & Paykel authorised technician. Do not modify or cut the plug. Do not use an adaptor, extension cord, or multi-outlet power board to connect the dishwasher to the power supply, as these could cause overheating and create a fire hazard.**
- **The outlet into which the dishwasher is plugged must remain easily accessible (e.g. in an adjacent cabinet) even when the appliance is installed. This is to ensure that the dishwasher can be disconnected from the power supply for safe cleaning and maintenance.**

16 TROUBLESHOOTING

- **Excessive water remaining above the filter plate, after the rinse cycle (This can be displayed as an **R20** fault)**
Check for a kinked drain hose, blocked waste connection, highloop not properly installed, drain hose not routed correctly or spray arms not in place.
- **No water supply (This is displayed as an **R10** fault)**
Check water is connected and turned on.
- **The dishwasher is beeping continuously**
There is a fault. See section 'How to attend to a fault' in the User guide for further information and instructions.
- **Water around water supply and drainage connections**
Check connections, existing plumbing and hoses for leaks. Check rubber washer and hose clamp are correctly fitted.
- **If product is tipping**
The product is not secure under the benchtop. Ensure the product is level and placed between cabinetry. Adjust the feet so that the dishwasher sits securely under the benchtop.
-
- **If front panel is misaligned.**
Check and re-level product. Check the cabinetry is square. Check and adjust the front panel alignment if necessary.
- **Door doesn't close properly**
Ensure nothing is obstructing the door from closing properly. Check that the customised panel is a suitable length to fully close and that there is enough clearance for the door, so that the door's movement is not obstructed by the floor or surrounding cabinetry.
- If a problem occurs, consult the 'Troubleshooting' section of the User guide.
- If after checking these points you still need assistance, please refer to the Service & Warranty book for warranty details and your nearest Authorised Service Centre, or contact us through our website, listed below.

✓ **TO BE COMPLETED BY THE INSTALLER**

- Check all parts are installed.
- Ensure that all panels and parts thereof are secure and final electrical tests have been conducted in accordance with local electrical regulations.
- Check that the dishwasher is level. If necessary, adjust the levelling feet slightly. To ensure optimum performance, the dishwasher should not be inclined more than 1°. Check with a spirit level.
- Ensure inlet hose to water supply has supplied rubber washer fitted, and that it's tightened a further half turn after seal contact.
- Ensure any knockouts or plugs in drain connection have been drilled out and drain connection has been made.
- The drain hose joiner must not support the weight of excess hose material. Keep drain hose as fully extended as possible to prevent sagging. Any excess length of drain hose should be kept on the dishwasher side of the highloop.
- If connecting the drain hose to the sink trap, ensure the Highloop is a minimum 150mm higher than the drain hose joiner.
- Ensure any packaging or tape securing the racks is removed from the dishwasher.
- Ensure product is level and opens and closes freely. The door must be free to fully close without being obstructed by adjoining cabinetry or the floor.
- Check that the door opens and closes freely without resistance to adjacent cabinetry.
- Check that the electrical outlet is accessible and located in an adjacent cupboard.
- Check the operation of the dishwasher:
 - ① Open door to turn dishwasher on
 - ② Select the Rinse programme:
 - ③ Press > to start the Rinse programme. Can you hear the dishwasher filling?
 - ④ When the Rinse programme is over (approx. 20 minutes), check that the water has drained.
- If a fault code appears, see the 'Fault codes' section of the User guide for advice.

Complete and keep for safe reference:

Model _____

Serial No. _____

Purchase Date _____

Purchaser _____

Dealer Address _____

Installer's Name _____

Installer's Signature _____

Installation Company _____

Installation Date _____

FISHERPAYKEL.COM

© Fisher & Paykel Appliances 2018 All rights reserved.

The product specifications in this booklet apply to the specific products and models described at the date of issue. Under our policy of continuous product improvement, these specifications may change at any time. You should therefore check with your Dealer to ensure this booklet correctly describes the product currently available.

NZ AU

591483A / 0120501366B 03.18