

**FISHER & PAYKEL**

**BUILT-IN SLIDEOUT  
RANGEHOOD**

---

**HS60XW4, HS60LXW4, HS60LRX4  
and HS90X4 models**

**INSTALLATION GUIDE / USER GUIDE  
NZ AU**



# CONTENTS

---

Safety and warnings	3
Installation instructions	5
Operating instructions	10
Cleaning and maintenance	11
Parts and accessories	13
Customer care	14
Service and Warranty	15

---

## **IMPORTANT!**

### **SAVE THESE INSTRUCTIONS**

The models shown in this User guide may not be available in all markets and are subject to change at any time. For current details about model and specification availability in your country, go to our website [fisherpaykel.com](http://fisherpaykel.com) or contact your local Fisher & Paykel dealer.

## **Registration**

Register your product with us so we can provide you with the best service possible.

To register your product visit our website: [fisherpaykel.com](http://fisherpaykel.com)



## SAFETY AND WARNINGS

### ⚠ WARNING!



#### Electric Shock Hazard

All electrical work must be done in accordance with local and/or national electrical codes as applicable. If you are unfamiliar with methods of installing electrical wiring, employ the services of a qualified electrician. Turn off power at service entrance before installing wiring or servicing this product.

### ⚠ WARNING!



#### Weight Hazard

The rangehood is heavy. Ensure adequate care is taken when installing the rangehood to prevent personal injury.

The rangehood must be installed onto a solid wall, stud, beam or truss. Weight of the product:

- 11.2 kg (HS90X4)
- 11 kg (HS60XW4)
- 8.3 kg (HS60LRX4)
- 8.1 kg (HS60LXW4)

**11.2 kg**

(HS90X4)

**11 kg**

(HS60XW4)

**8.3 kg**

(HS60LRX4)

**8.1 kg**

(HS60LXW4)

## IMPORTANT SAFETY INSTRUCTIONS

**WARNING!** When using this appliance always exercise basic safety precautions including the following:

- Read the entire set of instructions before installing or using this appliance.
- Please make this information available to the person installing the appliance — doing so could reduce your installation costs.
- Always switch the power off prior to installation, servicing or cleaning of the rangehood.
- This appliance must be installed and connected to the mains power supply only by a suitably qualified person according to these installation instructions and in compliance with any applicable local building and electricity regulations. Failure to install the appliance correctly could invalidate any warranty or liability claims.
- To comply with electrical safety regulations, the rangehood must be plugged into a socket near the appliance. The socket must be accessible, or have an accessible isolating switch, to enable the end user to isolate the rangehood from the power for the purpose of internal cleaning or maintenance.
- A power outlet should be within 750 mm of the motor assembly and can either be on the wall, behind the chimney or in the ceiling.
- If the supply cord of this equipment is damaged, it must only be replaced by the manufacturer, its service agent or similarly qualified person in order to avoid a hazard.

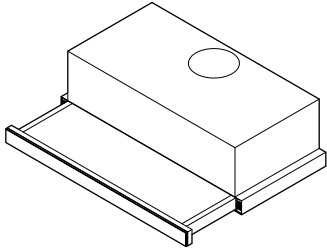
## SAFETY AND WARNINGS

---

- Ducting accessories are not supplied. All ducting must comply with local requirements and building codes.
- Attention should be given to ensure that any applicable regulations concerning the discharge of exhaust air are fulfilled.
- Before connecting any pipes, consult municipal ordinances to ensure that any applicable regulations concerning the discharge of exhaust air are adhered to and request permission from the person in charge of the building.
- Exhaust air must not be discharged into an existing flue that is used for exhausting fumes from appliances burning gas or other fuels.
- There shall be adequate ventilation of the room when the rangehood is used at the same time as appliances burning gas or other fuels.
- The minimum distance between the supporting surface for cooking vessels on the cooktop and the lowest part of the rangehood shall be 600 mm or 650 mm if installed over a gas cooktop.
- Stainless steel is very easily damaged during installation if abraded or knocked by tools. It is recommended to protect the top of the rangehood with cardboard or polystyrene during the installation to minimise the risk of damage occurring.
- To reduce the risk of damage occurring to the cooktop, it is recommended that the surface of the cooktop is protected with cardboard or a similar object during installation of the rangehood.
- This appliance is not intended for use by persons (including children) with reduced physical, sensory or mental capabilities, or lack of experience and knowledge, unless they have been given supervision or instruction concerning the use of the appliance by a person responsible for their safety.
- Children should be supervised to ensure they do not play with the appliance. Cleaning and user maintenance shall not be made by children without supervision.
- You must read the details concerning the method and frequency of cleaning.
- There is a fire risk if cleaning is not carried out in accordance with the instructions.
- Never leave frying food unattended since grease can overheat and catch fire. The risk of fire is even greater in the case of used oil.
- Do not flambé under the rangehood.
- Never use the rangehood without the filters in place.
- During an electrostatic discharge (ESD) it is possible that the device will stop working. By switching the device off and on the device will again work as intended.
- **CAUTION:** accessible parts may become hot when used with cooking appliances.
- Remove all packaging, including protective wrappings, before use.

# INSTALLATION INSTRUCTIONS

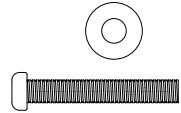
## Contents of packaging



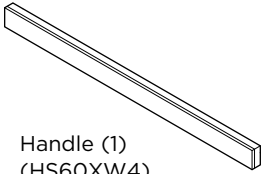
Rangehood  
(1)



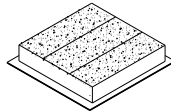
Installation guide/  
User guide  
(1)



Screw M6 x 40 mm  
(including washer)  
(4)



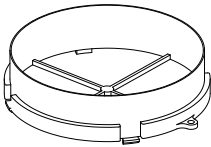
Handle (1)  
(HS60XW4)  
(HS60LXW4)  
(HS60LRX4)



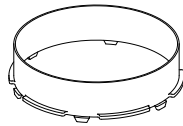
Carbon filters (2)  
(HS60LRX4)



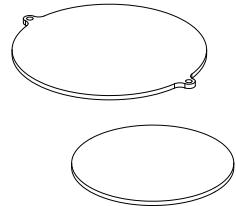
Screw 3 x 12 mm  
(6)



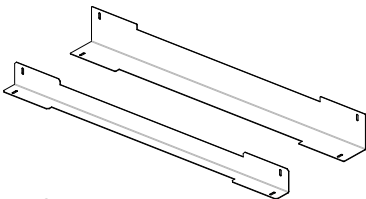
Ducting adapter –  
top extraction  
(1)



Ducting adapter –  
rear extraction  
(1) HS60LXW4  
and HS60LRX4



Duct hole covers  
(2) HS60LXW4  
and HS60LRX4



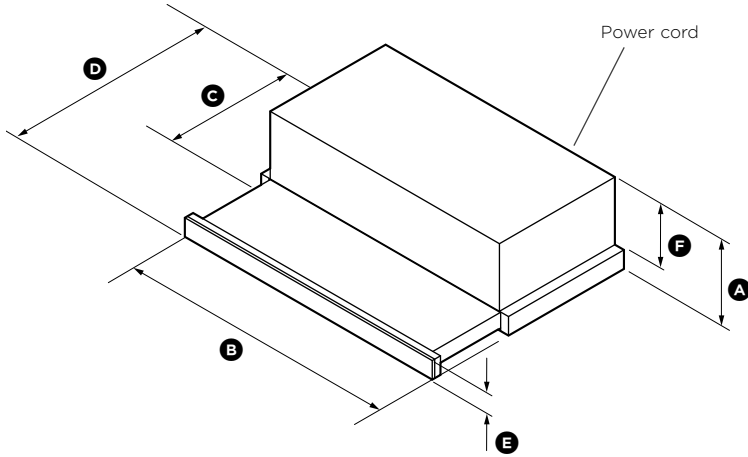
Spacer Rear  
(2)



Spacer Lateral  
(2)

# INSTALLATION INSTRUCTIONS

## Product dimensions



PRODUCT DIMENSIONS	HS60LRX4	HS90X4	HS60XW4 HS60LXW4
	mm	mm	mm
Ⓐ Overall height of product	180	180	180
Ⓑ Overall width of product	598	898	598
Ⓒ Overall depth of chassis	280	280	280
Ⓓ Overall depth of chassis (fully extended)	460	460	460
Ⓔ Height of handle	70	40	40
Ⓕ Installed chassis height	140	140	140
Power cord length	1500	1500	1500

### IMPORTANT!

Actual product dimensions may vary by  $\pm 2$  mm.

Read the entire instructions before installing the rangehood.

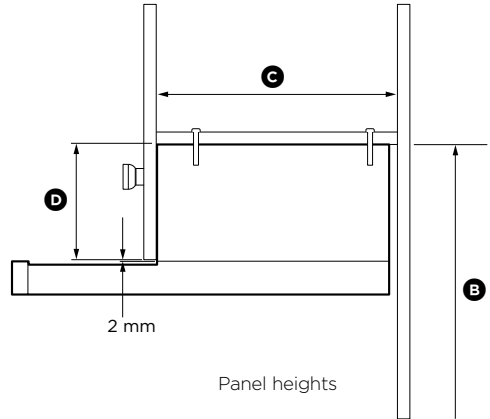
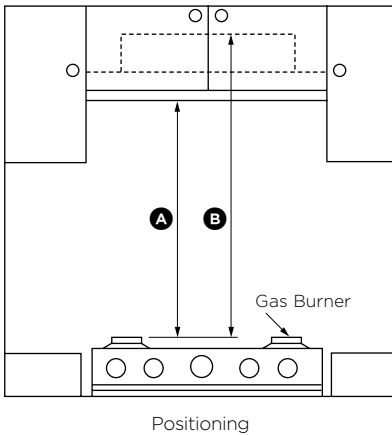


# INSTALLATION INSTRUCTIONS

## Height of rangehood

Read the entire instructions BEFORE installing the rangehood.

- Ascertain the desired installation height of the rangehood.
- When installing the rangehood, the lower edge of the unit must be a minimum of 600 mm above electric cooktop surface; 650 mm above gas cooktop cooking surface; and up to a maximum of 750 mm.
- Any installation above 750 mm will compromise the extraction performance.



MINIMUM CLEARANCES	RECIRCULATED	DUCTED
	<b>HS60LRX4</b> (front) <b>HS60LXW4</b> (front)	<b>HS60LRX4</b> (top & rear) <b>HS60LXW4</b> (top & rear) <b>HS60XW4</b> (top only) <b>HS90X4</b> (top only)
	mm	mm
(A) Height (top of cooktop to base of rangehood) Electric cooktop Gas cooktop	min. 600 – max. 750 min. 650 – max. 750	min. 600 – max. 750 min. 650 – max. 750
(B) Height (top of cooktop to base of shelf where rangehood is attached) Electric cooktop Gas cooktop	min. 781 – max. 931 min. 831 – max. 931	min. 781 – max. 931 min. 831 – max. 931
(C) Depth of installation (cabinet cavity)	min. 283	min. 283
(D) Height of installation (cabinet cavity)	max. 108	max. 138

# INSTALLATION INSTRUCTIONS

## WARNING!

Failure to install the screws or fixing device in accordance with these instructions may result in electrical hazards. The manufacturer is not liable for any damage caused by not following these instructions.

### Before installing your rangehood

- Read the instructions carefully.
- Unpack the cooker hood and check that all functions are working.
- Ensure that the voltage (V) and the frequency (Hz) indicated on the serial plate match the voltage and frequency at the installation site.
- Protect the hob surface below with cardboard, or the like, to prevent damage occurring whilst the cooker hood is being installed above.
- Fit the 125 mm ducting adapter to the cooker hood using the screws supplied.

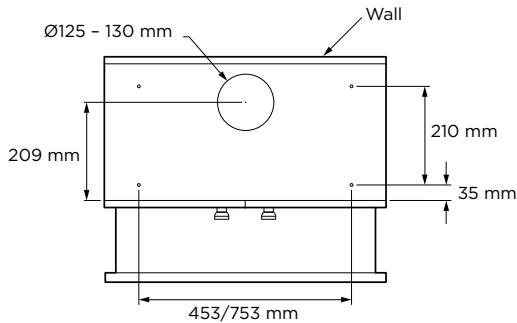


Fig.1 Mounting to underside of cabinetry

### Mounting the rangehood to the underside of cupboard

- Attach the rangehood to a shelf mounted at the preferred height in your wall units, by drilling 4 holes, 7 mm in diameter, (see Fig.1) and fixing with the 4 screws supplied.

Note: When installing the rangehood cover the space between the product and the wall with the adjustable lateral and rear spacer (Fig.2 and Fig.3).

- Connect 125 mm or 100 mm ducting to the blower outlet and plug in rangehood.

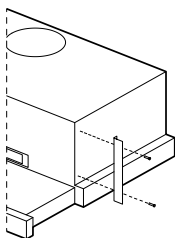


Fig.2 Spacer Lateral

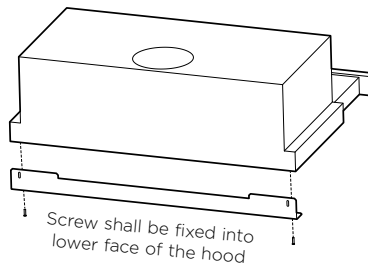


Fig.3 Spacer Rear

# INSTALLATION INSTRUCTIONS

## Venting requirements

### IMPORTANT!

To reduce risk of fire and to properly exhaust air, be sure to duct air outside!

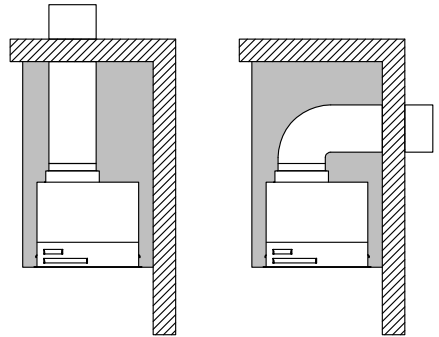
Do not vent exhaust air into wall or ceiling cavities, attics, crawl spaces, or garages.

This rangehood can be installed to operate with the exhaust air ducted externally from the kitchen or with the exhaust air recirculating within the kitchen.

### External venting

- Use the shortest and straightest duct route possible. Elbows and transitions increase noise and reduce air flow efficiency.
- Use rigid or semi-rigid ducting 125mm diameter for top duct with a 135mm (minimum) round hole in the wall or ceiling. In difficult installations where flexible ducting is required ensure that it is pulled tight.

Note: HS60LXW4 and HS60LRX4 can also be rear ducted with 100mm ducting, in this case a 110mm hole is required in the wall or ceiling.



Vent through roof

Vent through exterior wall

### Recirculating

This rangehood can be installed to recirculate within the kitchen where ducting externally is not practical. The carbon filters fit on the blowers within the cavity of the range hood and absorb odours as they pass over the filters. The exhaust air then passes through the blower unit and the diverter before recirculating back into the kitchen.

To operate this rangehood with the air recirculating the following is required:

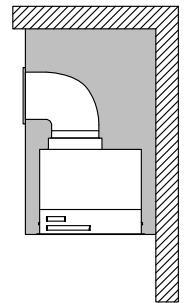
#### Ducted recirculation through cabinetry:

- Carbon filters (refer to 'Parts and accessories').
- 125mm or 100mm ducting. The ducting diameter must match the diameter or the blower outlet.
- 125mm louvered vent.

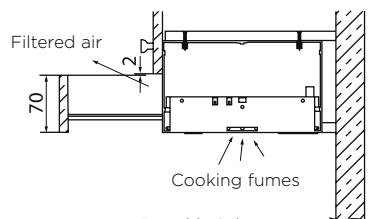
#### Front recirculation

(With products: HS60LRX4)

- This model comes with two carbon filters and a 70mm handle assembled.
- No duct holes are required in cabinetry.



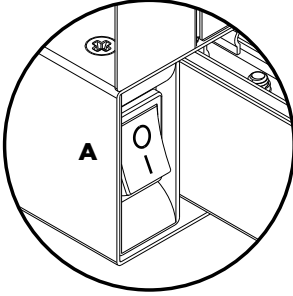
Recirculate with carbon filters



Panel heights

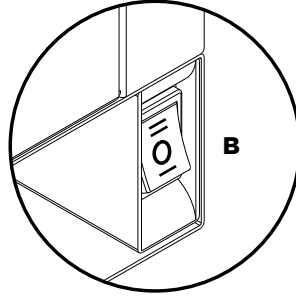
# OPERATING INSTRUCTIONS

## Control panel features



### Light switch — left hand side

The light can be operated independently from the fan.

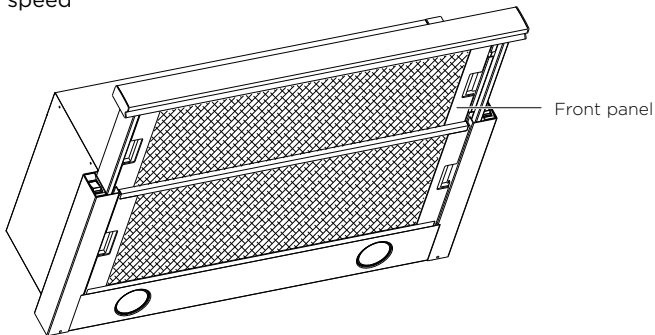


### Fan switch — right hand side

The fan can be run at different speeds depending on the cooking requirements.

## Operating instructions

- ① Pull out the front panel more than 50 mm. The front panel has to be pulled to its maximum extension so as to optimise the extraction capacity.
- ② Switch on the lamps (**A**).
- ③ Select air flow speed to suit your cooking requirements. The fan switch (**B**) has the following functions:
  - O** Stop
  - I** Low speed
  - II** High speed



## CLEANING AND MAINTENANCE

---

### **WARNING!**

**Unplug or disconnect the appliance from the power supply before servicing or cleaning.**

### **IMPORTANT!**

- **Never use abrasive or oil based cleaners.**
- **Wear gloves to protect against sharp edges.**

### **General maintenance**

The manufacturer is not liable for any damage caused by not following these instructions.

The rangehood should be cleaned regularly using warm water with soap or mild liquid detergents. This ensures that no build-up of grease occurs as these deposits are corrosive. Do not use abrasives or harsh detergents/cleaning fluids.

Note: in areas of high humidity and coastal environments cleaning should be carried out more frequently.

### **Aluminium filter**

The grease filter must be periodically cleaned (at least every two months). Remove the grease filter and wash either by hand using hot soapy water or place in the dishwasher with recommended dishwashing detergent for your dishwasher.

Note:

- Some discolouration of the frame may occur.
- When installing or replacing a filter, remove the protective plastic covering from the filter.

## CLEANING AND MAINTENANCE

### WARNING!

When replacing the bulb, let the bulb cool, and assure that power to the rangehood has been turned off. Use new bulbs according to that indicated on the rangehood nameplate.

### Carbon filter for all recirculating installations

(Optional: HS60LXW4, HS60XW4, HS90X4)

(With product: HS60LRX4)

Active carbon filters are disposable items designed to remove grease and odours from cooking vapours before the air is channelled back into the kitchen. The active carbon filters must be replaced periodically to work properly, at least every three months, depending on the frequency with which the rangehood is used.

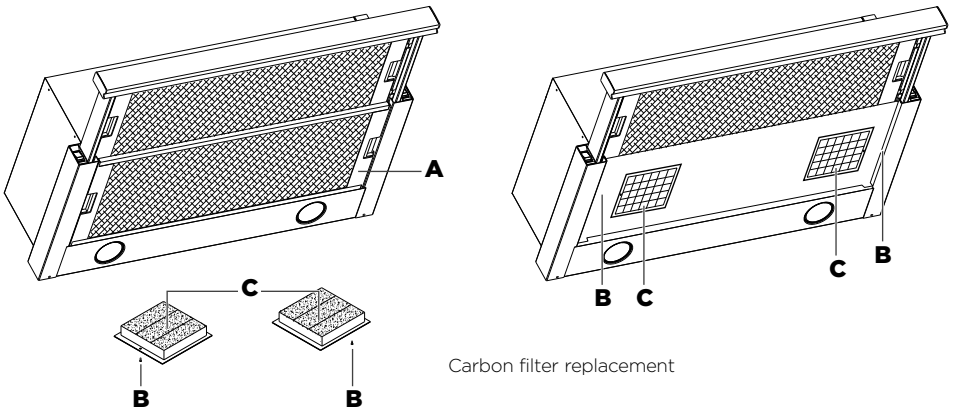
Note:

- Fully saturated carbon filters can become a barrier to air movement, impeding the rangehood's performance.
- In the event of fire, fully grease laden filters could be flammable and therefore regular replacement is recommended.

### Replacement

To replace carbon filters (C), proceed as follows:

- ① Remove aluminium filter (A).
- ② To remove carbon filter undo and remove the screw (B).
- ③ To install follow above steps in reversed order.



### Light bulb replacement

ILCOS D code: DRR-3.5-220/240-GU10-50/50

- ① To replace a light bulb, first disconnect the rangehood from its power supply.
- ② Apply finger pressure to the face of the light bulb and twist one quarter turn anti-clockwise – the light bulb will now be free to drop out.
- ③ Remove the faulty bulb and fit replacement bulb into the lamp holder.
- ④ Refit the light bulb by applying finger pressure and twist one quarter turn clockwise.

Note: replacement bulbs are not covered by Manufacturer's Warranty.

## PARTS AND ACCESSORIES

---

<b>ACCESSORY</b>	<b>PART NUMBER</b>
Replacement aluminium filter x2 (HS60)	792391
Replacement aluminium filter x2 (HS90)	792392
Recirculation charcoal filter x2	792390
LED bulb	792603
Ducting kit 125mm (eaves)	PD-RHK125E
Ducting kit 125mm (wall)	PD-RHK125W
Ducting kit 125mm (roof)	PD-RHK125T

## CUSTOMER CARE

---

### **Before you call for service or assistance...**

Check the things you can do yourself. Refer to your User guide and check that:

- ① Your product is correctly installed.
- ② You are familiar with its normal operation.

If after checking these points you still need assistance or parts, go online to our website [fisherpaykel.com](http://fisherpaykel.com) to book a service, or contact Customer Care.

### **In New Zealand if you need assistance...\***

Visit our website and book a service, or call our Customer Care Centre.

**Toll Free:** 0800 FP CARE or 0800 372 273

**Website:** [fisherpaykel.com](http://fisherpaykel.com)

**Postal address:** Fisher & Paykel Appliances Ltd, PO Box 58550, Botany, Auckland 2163

### **If you need service...\***

Fisher & Paykel has a network of Fisher & Paykel trained and supported service technicians responsible for servicing only Fisher & Paykel branded appliances.

Visit our website, ask your local Fisher & Paykel dealer, or speak to our Customer Care Centre for a recommended service technician in your area.

### **In Australia if you need assistance...\***

Visit our website and book a service, or call our Customer Care Centre.

**Toll Free:** 1300 650 590

**Website:** [fisherpaykel.com](http://fisherpaykel.com)

**Postal address:** Fisher & Paykel Appliances Ltd, PO Box 798, Cleveland QLD 4163

### **If you need service...\***

Fisher & Paykel has a network of Fisher & Paykel trained and supported service technicians responsible for servicing only Fisher & Paykel branded appliances.

Visit our website, ask your local Fisher & Paykel dealer, or speak to our Customer Care Centre for a recommended service technician in your area.

\*If you call, write or contact our website, please provide your name and address, model number, serial number, date of purchase and a complete description of the problem. This information is needed in order to better respond to your request for assistance.

**Product details can be found under the aluminium filter.**

### **Registration**

Register your product with us so we can provide you with the best service possible. To register your product visit our website: [fisherpaykel.com](http://fisherpaykel.com)



## SERVICE AND WARRANTY

---

For details of your manufacturer's warranty and contacts for servicing, refer to your separate service and warranty book provided with your appliance.

This product has been designed for use in a normal domestic (residential environment). This product is not designed for any commercial use. Any commercial use by the customer will affect this products manufacturer's warranty

Complete and keep for safe reference:

Model \_\_\_\_\_

Serial No. \_\_\_\_\_

Purchase Date \_\_\_\_\_

Purchaser \_\_\_\_\_

Dealer \_\_\_\_\_

Suburb \_\_\_\_\_

Town \_\_\_\_\_

Country \_\_\_\_\_





**FISHERPAYKEL.COM**

© Fisher & Paykel Appliances 2019. All rights reserved.

The product specifications in this document apply to the specific products and models described at the date of issue. Under our policy of continuous product improvement, these specifications may change at any time. You should therefore check with your Dealer to ensure this document correctly describes the product currently available.

**NZ AU**

**104032D 06.19**