

**FISHER & PAYKEL**

**CLASSIC RANGEHOOD**

---

HC90PCTX1, HC90PCB1, HC90PCW1 and  
HC90PCR1 models

**INSTALLATION GUIDE**

**NZ AU**



## CONTENTS

---

Safety and warnings	4
Parts supplied	6
Prior to installation	7
Product dimensions	8
Installation height	10
Attachment dimensions	11
Venting options	12
Prepare rangehood	15
Hang rangehood	17
Parts and accessories	19
Final checklist	20

---

### READ AND SAVE THESE INSTRUCTIONS

The models shown in this installation guide may not be available in all markets and are subject to change at any time. For current details about model and specification availability in your country, please go to our website [www.fisherpaykel.com](http://www.fisherpaykel.com) or contact your local Fisher & Paykel dealer.

**⚠ WARNING!**



**Electric Shock Hazard**

**Failure to follow this advice may result in electric shock or death.**

- Always disconnect the appliance from the mains power supply before carrying out any maintenance or repairs.
- Alterations to the domestic wiring system must be undertaken by a qualified electrician.

**⚠ WARNING!**



**Weight Hazard**

**Failure to follow this advice may result in personal injury**

- The appliance is heavy. Please ensure adequate care is taken when installing the appliance to prevent personal injury. The appliance must be installed onto a solid wall, stud, beam or truss.
- **Product weight:** 23kg

## SAFETY AND WARNINGS

---

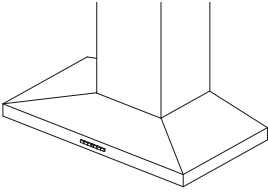
### **WARNING!**

When using this appliance always exercise basic safety precautions including the following:

- Please read the entire set of instructions before installing or using this appliance.
- Please make this information available to the person installing the appliance – doing so could reduce your installation costs.
- Always switch the power off prior to installation, servicing or cleaning of the appliance.
- This appliance must be installed and connected to the mains power supply only by a suitably qualified person according to these installation instructions and in compliance with any applicable local building and electricity regulations. Failure to install the appliance correctly could invalidate any warranty or liability claims.
- To comply with electrical safety regulations, the appliance must be plugged into a socket near the appliance. The socket must be accessible, or have an accessible isolating switch, to enable the end user to isolate the appliance from the power for the purpose of internal cleaning or maintenance.
- A power outlet should be within 750 mm of the motor assembly and can either be on the wall, behind the chimney or in the ceiling.
- If the supply cord of this equipment is damaged, it must only be replaced by the manufacturer, its service agent or similarly qualified person in order to avoid a hazard.
- Ducting accessories are not supplied. All ducting must comply with local requirements and building codes.
- Attention should be given to ensure that any applicable regulations concerning the discharge of exhaust air are fulfilled.
- Before connecting any pipes, consult municipal ordinances to ensure that any applicable regulations concerning the discharge of exhaust air are adhered to and request permission from the person in charge of the building.
- Exhaust air must not be discharged into an existing flue that is used for exhausting fumes from appliances burning gas or other fuels.
- There shall be adequate ventilation of the room when the rangehood is used at the same time as appliances burning gas or other fuels.
- The minimum distance between the supporting surface for cooking vessels on the cooktop and the lowest part of the appliance shall be 600 mm or 650 mm if installed over a gas cooktop.
- Stainless steel or powdercoat is very easily damaged during installation if abraded or knocked by tools. It is recommended to protect the top of the appliance with cardboard or polystyrene during the installation to minimise the risk of damage occurring.
- To reduce the risk of damage occurring to the cooktop, it is recommended that the surface of the cooktop is protected with cardboard or a similar object during installation of the rangehood.

## PARTS SUPPLIED

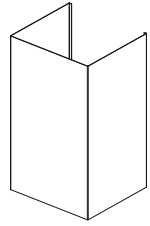
---



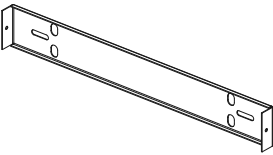
Rangehood hood (1)



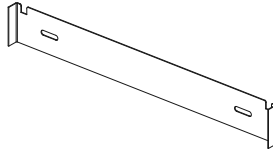
Installation guide (1)



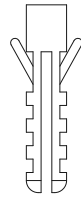
Chimney (1)



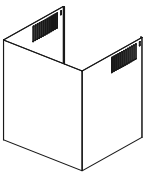
Upper chimney bracket (1)



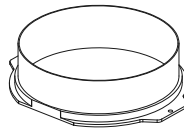
Chimney bracket (1)



Expansion plug (10)



Upper chimney (1)



150 mm diameter ducting adapter with damper (1)



10 mm self-tapping screw (4)



30 mm self-tapping screw (10)

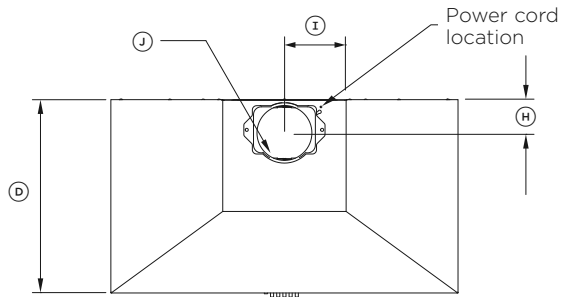
## PRIOR TO INSTALLATION

---

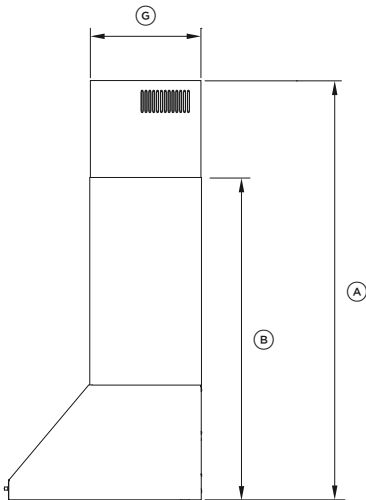
Fisher & Paykel is not liable for any damage caused by not following these instructions.

- Please read the instructions carefully.
- Unpack the rangehood.
- Ensure the voltage (V) and the frequency (Hz) indicated on the rating plate match the voltage and frequency of the installation site.
- Check all functions are working.
- Check that the area behind the installation surface to be drilled is clear of any electrical cables or pipes etc.
- The rangehood surfaces can be damaged during installation if grazed or knocked by tools. Please take care to protect the surfaces during installation.
- Protect the cooktop surface with cardboard, or the like, to prevent damage occurring whilst the rangehood is being installed above.
- Temporarily mark the height of the bottom of the rangehood and the centre of the cooktop on the wall according to the information given in the 'Installation height' section.
- The wall used for mounting the rangehood should have sufficient strength and a flat surface.

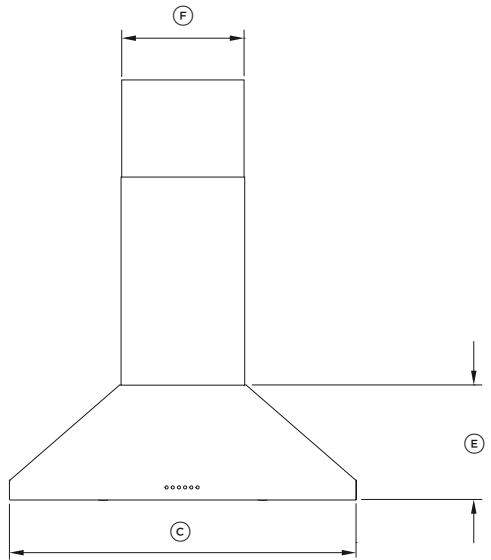
# PRODUCT DIMENSIONS



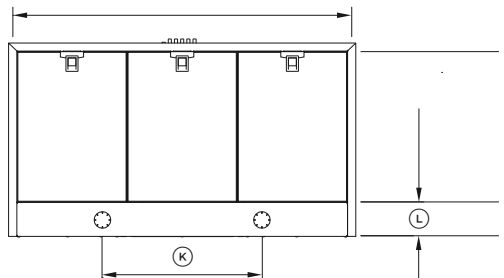
PLAN



PROFILE



FRONT



BOTTOM

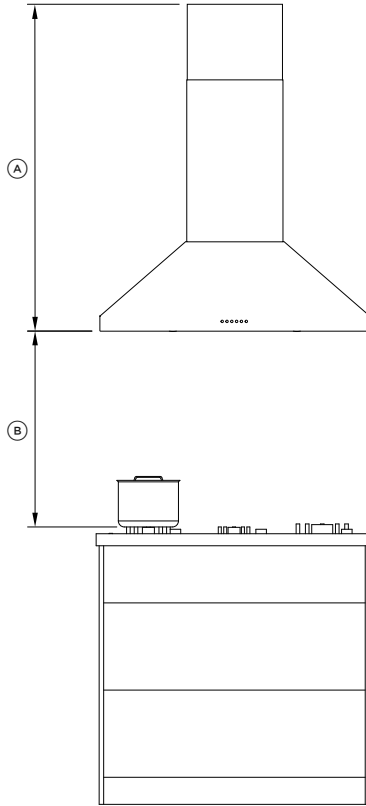


## PRODUCT DIMENSIONS

<b>PRODUCT DIMENSIONS</b>	<b>MM</b>
Ⓐ Maximum overall height of product	975
Ⓑ Minimum overall height of product	636
Ⓒ Overall width of product	898
Ⓓ Overall depth of product	500
Ⓔ Height of hood	298
Ⓕ Width of chimney	320
Ⓖ Depth of chimney	290
Ⓗ Distance from centre of ducting outlet to back of product	95
Ⓘ Distance from centre of ducting outlet to side of chimney	160
Ⓙ Diameter of ducting outlet	150
Ⓚ Distance between centre of lights	413
Ⓛ Distance between lights to back of product	42
Length of power cord	800

Actual product dimensions may vary by  $\pm 2$  mm.

## INSTALLATION HEIGHT

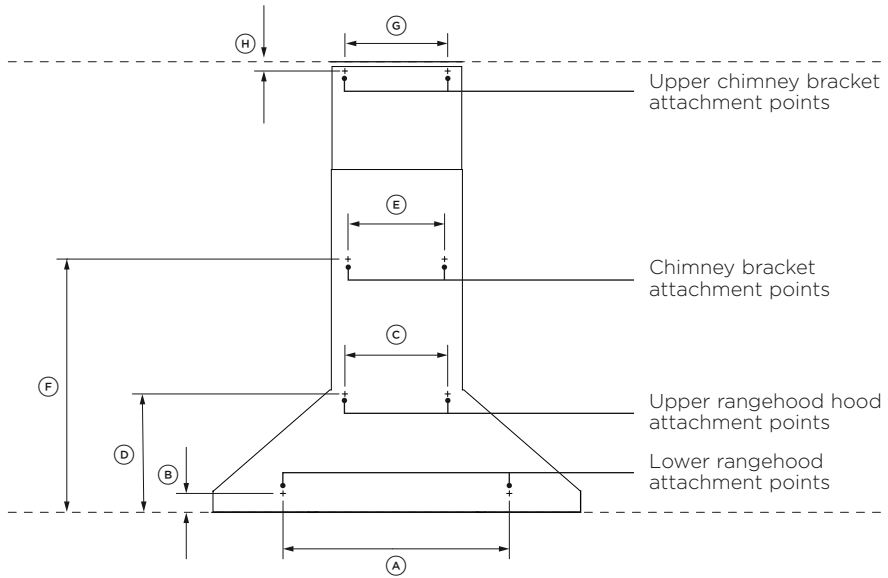


HEIGHT DIMENSIONS	MM
(A) Ducted installation <ul style="list-style-type: none"> <li>• Minimum height</li> <li>• Maximum height</li> </ul>	636 975
Recirculation <ul style="list-style-type: none"> <li>• Minimum height</li> <li>• Maximum height</li> </ul>	676 975
(B) Height from top of cooktop to base of product	650 - 750

This rangehood must be installed no lower than the minimum height indicated in the table above. Minimum installation height may be greater if required by the cooktop, refer to your cooktop installation instructions.

Installation at the minimum height will improve the efficiency of capturing cooking odours, grease and smoke. Installation above the minimum height is the users preference, it is not recommended to install above the maximum height indicated in the table above.

## ATTACHMENT DIMENSIONS



ATTACHMENT DIMENSIONS	MM
Ⓐ Lower rangehood attachment point width	508
Ⓑ Lower rangehood attachment point height	47
Ⓒ Upper rangehood attachment point width	250
Ⓓ Upper rangehood attachment point height	294
Ⓔ Chimney bracket attachment point width	250
Ⓕ Chimney bracket attachment point height	596
Ⓖ Upper chimney bracket attachment point width	250
Ⓗ Upper chimney bracket attachment point height	25

## VENTING OPTIONS

---

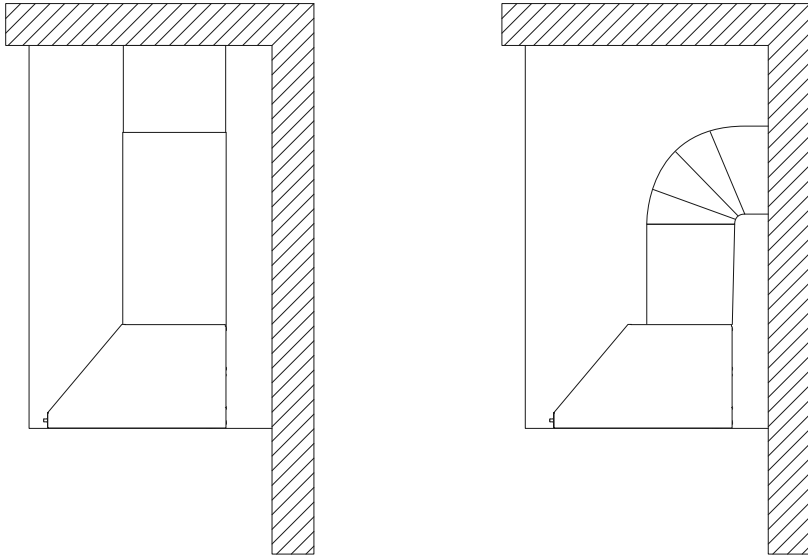
Attention should be given to ensure that any applicable regulations concerning the discharge of exhaust air are fulfilled.

The rangehood can be installed to operate with the exhaust air ducted externally from the kitchen, or installed to operate with the exhaust air recirculating within the kitchen.

### Ducted

For ducted installation it is recommended that 150 mm diameter, rigid or semi-rigid ducting is used. This will require a 160 mm (min) round hole in the ceiling or wall. Care should be taken to position the hole correctly.

For optimal efficiency use the shortest and straightest duct route possible and use rigid or semi-rigid ducting for reduced noise and increased airflow. Flexible metal ducting should only be used as a last resort (ie in difficult installations) and if used ensure that it is straight, smooth and extended as much as possible.



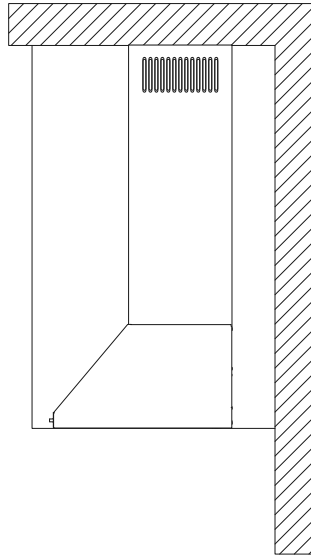
## VENTING OPTIONS

---

### Recirculating

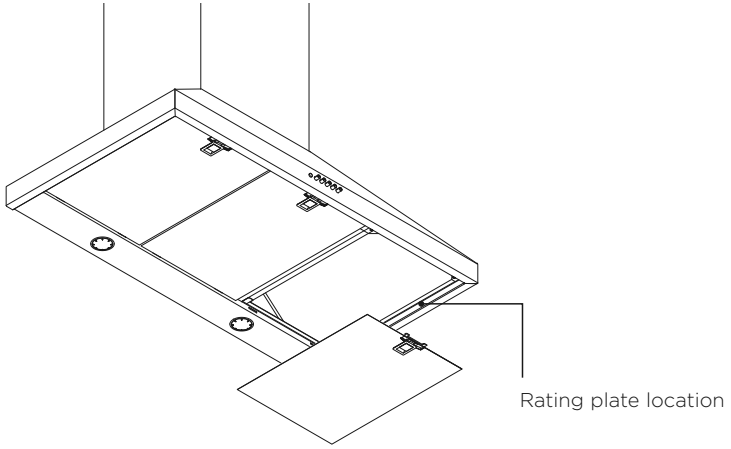
To enable the product to operate with the air recirculating, please purchase a recirculation diverter and carbon filters (refer to the 'Parts and accessories' section). This recirculation diverter is installed after a short length of ducting and is required to channel the air out the side vents at the top of the chimney. The carbon filters are required to remove odours.

A ducting hole is not required in the wall or ceiling if the rangehood is installed to operate with exhaust air recirculating.



## ELECTRICAL REQUIREMENTS

---



Before connecting the rangehood to the power supply, ensure the voltage and frequency indicated on the rating plate match that of the installation location:

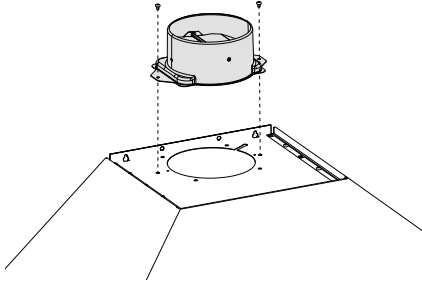
<b>MODEL</b>	<b>FREQUENCY</b>	<b>VOLTAGE</b>
HC90	50 Hz	230 V

## PREPARE RANGEHOOD

---

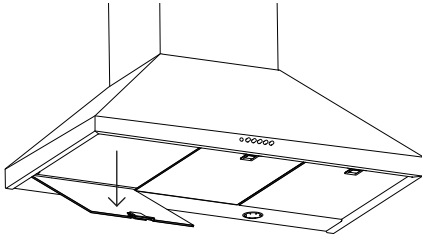
**Warning:** Failure to install the screws or fixing device in accordance with these instructions may result in an electrical hazards.

1



Place the ducting adapter onto the rangehood and screw it into place using 10mm screws.

2

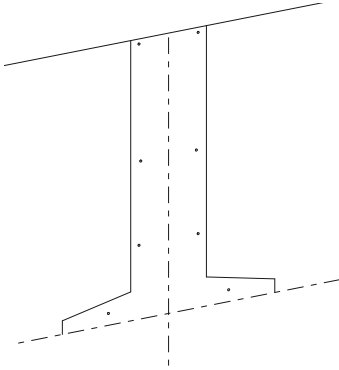


Remove the filters - pull the catch and tilt the filter downwards until it disengages from the supports.

## ATTACH BRACKETS AND MOUNTING SCREWS

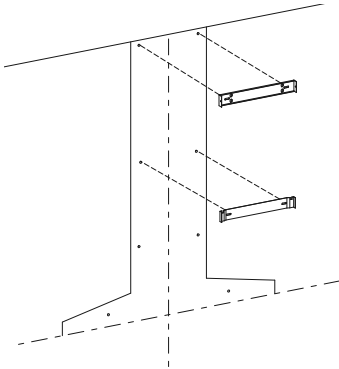
---

1



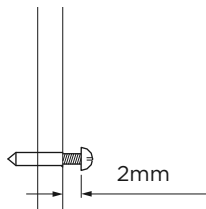
Temporarily mark the height of the bottom of the rangehood and the centre of the cooktop on the wall according to the information provided in 'Installation Height'.

2



Attach the chimney bracket and upper chimney bracket (if using the upper chimney). Use the 30mm screws and expansion plugs if attaching to masonry.

3



Attach the upper hood mounting screws. Use the 30mm screws and expansion plugs if attaching to masonry.

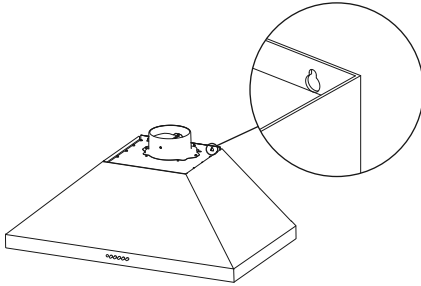
Ensure that there is a 2mm gap between the screw head and the wall.



## HANG RANGEHOOD

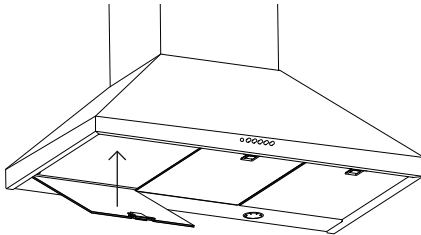
---

1



Hang the rangehood off the upper rangehood mounting screws. Hang off the keyhole attachment points on the back of the rangehood then tighten the screws.

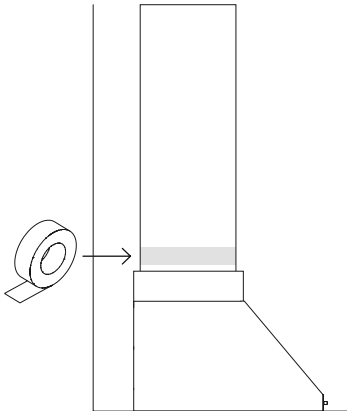
2



Attach the lower rangehood mounting screws to fix the rangehood to the wall.

Refit the filters.

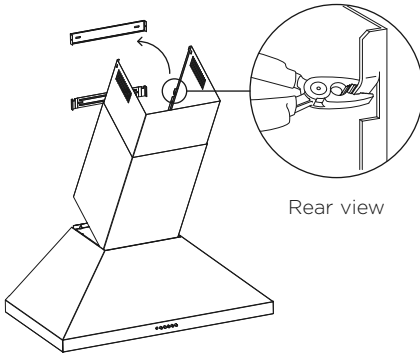
3



Attach ducting to the ducting adapter using aluminium duct tape.

## ATTACH CHIMNEY

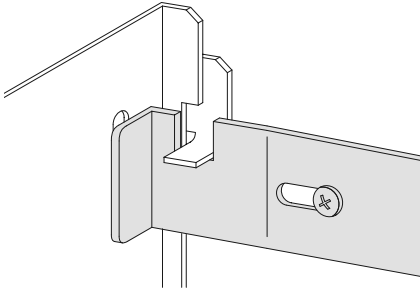
1



Rear view

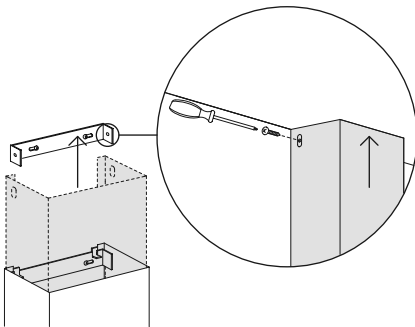
Bend the tabs on the chimney.

2



Place chimney around the rangehood chassis and hang off the chimney bracket.

3



Extend the upper chimney and attach to the upper chimney bracket with 10mm screws.

## PARTS AND ACCESSORIES

---

ITEM	REFERENCE NUMBER
Semi rigid ducting kit 150 mm (eaves)	PD-RHK150E
Semi rigid ducting kit 150 mm (wall)	PD-RHK150W
Recirculation carbon filter x2	792481
Recirculation diverter	792560

## FINAL CHECKLIST

---

### TO BE COMPLETED BY THE INSTALLER

- Rangehood is correctly installed
- All connections are secure
- Connections have not pierced any electrical or water lines within the wall
- Ducting has not been crushed or bent in any area's
- Flexible ducting has been pulled taut and any excess removed (if required)
- Power plug switch is accessible to the customer
- Product is plugged in and power switched on
- Operation of the product has been tested

---

### Complete and keep for safe reference:

Model \_\_\_\_\_

Serial no. \_\_\_\_\_

Purchase date \_\_\_\_\_

Purchaser \_\_\_\_\_

Dealer address \_\_\_\_\_

Installer's name \_\_\_\_\_

Installer's signature \_\_\_\_\_

Installation company \_\_\_\_\_

Installation date \_\_\_\_\_







**FISHERPAYKEL.COM**

© Fisher & Paykel Appliances 2020. All rights reserved.

The product specifications in this document apply to the specific products and models described at the date of issue. Under our policy of continuous product improvement, these specifications may change at any time. You should therefore check with your Dealer to ensure this document correctly describes the product currently available.

**NZ AU**  
**105939B 02.20**