

FISHER & PAYKEL

**WALL RANGEHOOD, BOX CHIMNEY
WITH EXTERNAL BLOWER**

CONTEMPORARY
HC60DCEXB3 & HC90DCEXB3

INSTALLATION GUIDE
NZ AU

CONTENTS

Safety and warnings	4
Parts supplied	6
Prior to installation	7
Product dimensions	8
Installation height	10
Attachment dimensions	12
Venting requirements	13
Electrical requirements	14
Attach brackets and mounting screws	15
Prepare rangehood	16
Hang rangehood	17
Parts and accessories	20
Final checklist	21

⚠ WARNING!



Electric Shock Hazard

Failure to follow this advice may result in electric shock or death.

- Always disconnect the appliance from the mains power supply before carrying out any maintenance or repairs. Failure to do so can result in death, electric shock, fire or injury to persons.
- Do not immerse cord or plugs in water or other liquid.

⚠ WARNING!



Weight Hazard

Failure to follow this advice may result in personal injury.

- The appliance is heavy. Please ensure adequate care is taken when installing the appliance to prevent personal injury. The appliance must be installed onto a solid wall, stud, beam or truss.
- **Product weight:** 9kg (HC60) and 13.4kg (HC90).

⚠ WARNING!



Cut Hazard

Failure to use caution could result in injury.

- Take care: some edges are sharp.
- Wear gloves to protect against sharp edges.

READ AND SAVE THESE INSTRUCTIONS

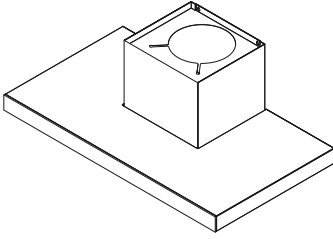
SAFETY AND WARNINGS

WARNING!

When using this appliance always exercise basic safety precautions including the following:

- Please read the entire set of instructions before installing or using this appliance.
- Please make this information available to the person installing the appliance - doing so could reduce your installation costs.
- Always switch the power off prior to installation, servicing or cleaning of the appliance.
- This appliance must be installed and connected to the mains power supply only by a suitably qualified person according to these installation instructions and in compliance with any applicable local building and electricity regulations. Failure to install the appliance correctly could invalidate any warranty or liability claims.
- To comply with electrical safety regulations, the appliance must be plugged into a socket near the appliance. The socket must be accessible, or have an accessible isolating switch, to enable the end user to isolate the appliance from the power for the purpose of internal cleaning or maintenance.
- A power outlet should be within 750 mm of the rangehood and can either be on the wall, behind the chimney or in the ceiling.
- If the supply cord of this equipment is damaged, it must only be replaced by the manufacturer, its service agent or similarly qualified person in order to avoid a hazard.
- All ducting must comply with local requirements and building codes.
- Attention should be given to ensure that any applicable regulations concerning the discharge of exhaust air are fulfilled.
- Before connecting any pipes, consult municipal ordinances to ensure that any applicable regulations concerning the discharge of exhaust air are adhered to and request permission from the person in charge of the building.
- Exhaust air must not be discharged into an existing flue that is used for exhausting fumes from appliances burning gas or other fuels.
- Stainless steel or powdercoat is very easily damaged during installation if abraded or knocked by tools. It is recommended to protect the top of the appliance with cardboard or polystyrene during the installation to minimise the risk of damage occurring.
- To reduce the risk of damage occurring to the cooktop, it is recommended that the surface of the cooktop is protected with cardboard or a similar object during installation of the rangehood.
- In order to avoid a hazard due to inadvertent resetting of the thermal cut-out, this appliance must not be supplied through an external switching device, such as a timer, or connected to a circuit that is regularly switched on and off by the utility.

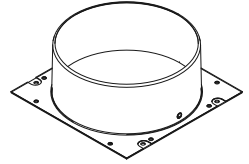
PARTS SUPPLIED



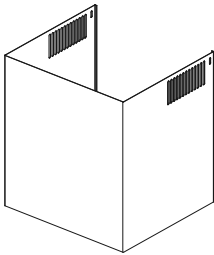
Rangehood
(1)



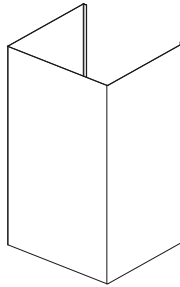
Installation guide
(1)



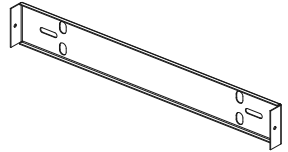
200 mm diameter ducting adapter
(1) and screws (4)



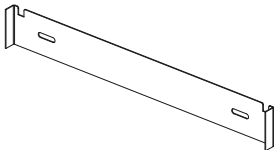
Upper chimney
(1)



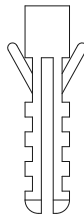
Chimney
(1)



Upper chimney bracket (1)



Chimney bracket
(1)



Expansion plug
(8)



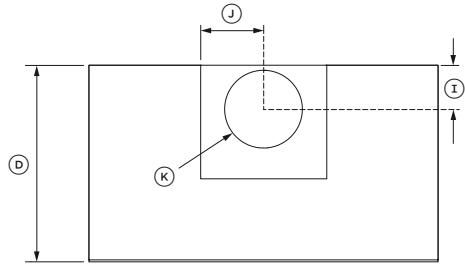
30 mm self tapping screw
(8)

PRIOR TO INSTALLATION

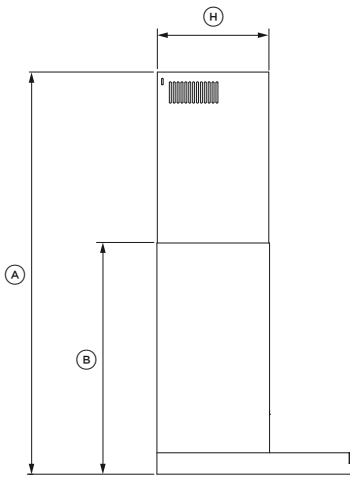
Fisher & Paykel is not liable for any damage caused by not following these instructions.

- Please read the instructions carefully.
- Unpack the rangehood.
- Ensure the voltage (V) and the frequency (Hz) indicated on the rating plate match the voltage and frequency of the installation site.
- Check all functions are working.
- Check that the area behind the installation surface to be drilled is clear of any electrical cables or pipes etc.
- The rangehood surfaces can be damaged during installation if grazed or knocked by tools. Please take care to protect the surfaces during installation.
- Protect the cooktop surface with cardboard, or the like, to prevent damage occurring whilst the rangehood is being installed above.
- Temporarily mark the height of the bottom of the rangehood and the centre of the cooktop on the wall according to the information given in the 'Installation Height' section.
- The wall used for mounting the rangehood should have sufficient strength and a flat surface.
- A power outlet should be within 750 mm of the rangehood and can either be on the wall, behind the chimney or in the ceiling.

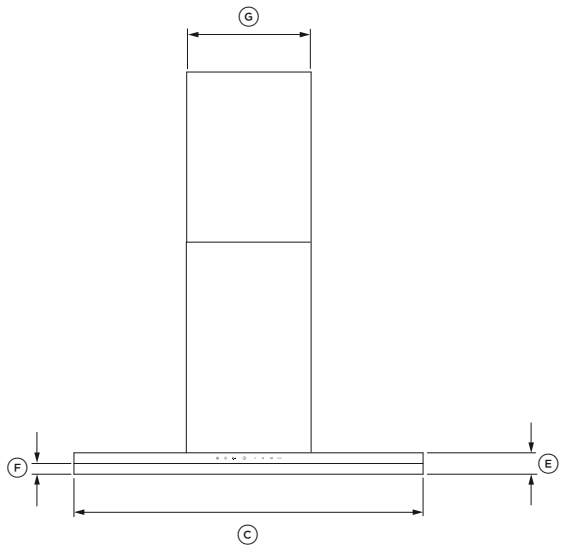
PRODUCT DIMENSIONS



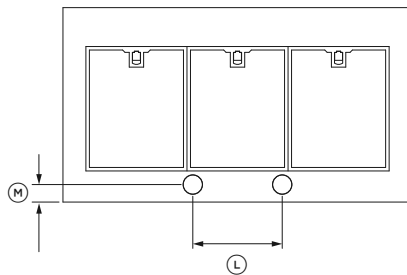
PLAN



PROFILE



FRONT



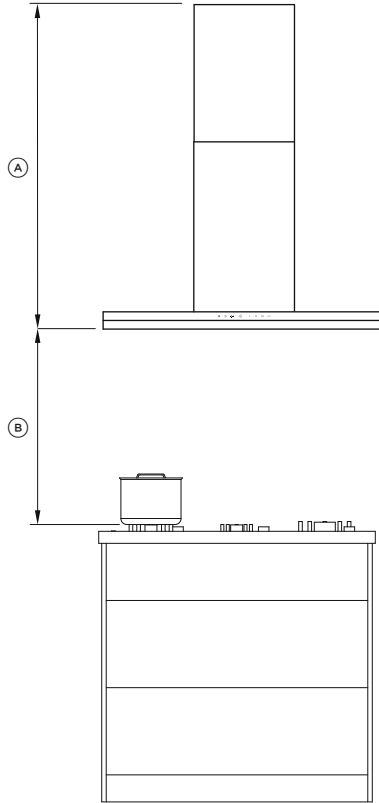
BOTTOM VIEW

PRODUCT DIMENSIONS

PRODUCT DIMENSIONS	HC60	HC90
	MM	MM
Ⓐ Maximum overall height of product	1035	1035
Ⓑ Minimum overall height of the product	595	595
Ⓒ Overall width of product	598	898
Ⓓ Overall depth of product	500	500
Ⓔ Height of hood	55	55
Ⓕ Height of stainless strip	27	27
Ⓖ Width of chimney	320	320
Ⓗ Depth of chimney	290	290
Ⓘ Distance from centre of ducting outlet to back of product	113	113
Ⓝ Distance from centre of ducting outlet to side of chimney	160	160
Ⓚ Diameter of ducting outlet	200	200
Ⓛ Distance between centre of lights	230	230
Ⓜ Distance between lights to back of product	45	45
Length of power cord	1200	1200
Length of external blower connection cord	1200	1200

Actual product dimensions may vary by ± 2 mm.

INSTALLATION HEIGHT



HEIGHT DIMENSIONS

MM

Ⓐ Ducted installation	
• Minimum height	636
• Maximum height	1035
Ⓑ Height top of cooktop to base of product	
• Electric cooktop	min 600 - max 750
• Gas cooktop	min 650 - max 750

This rangehood must be installed no lower than the minimum height indicated in the table above. Minimum installation height may be greater if required by the cooktop, refer to your cooktop installation instructions.

Installation at the minimum height will improve the efficiency of capturing cooking odours, grease and smoke. Installation above the minimum height is the users preference, it is not recommended to install above the maximum height indicated in the table above.

INSTALLATION HEIGHT

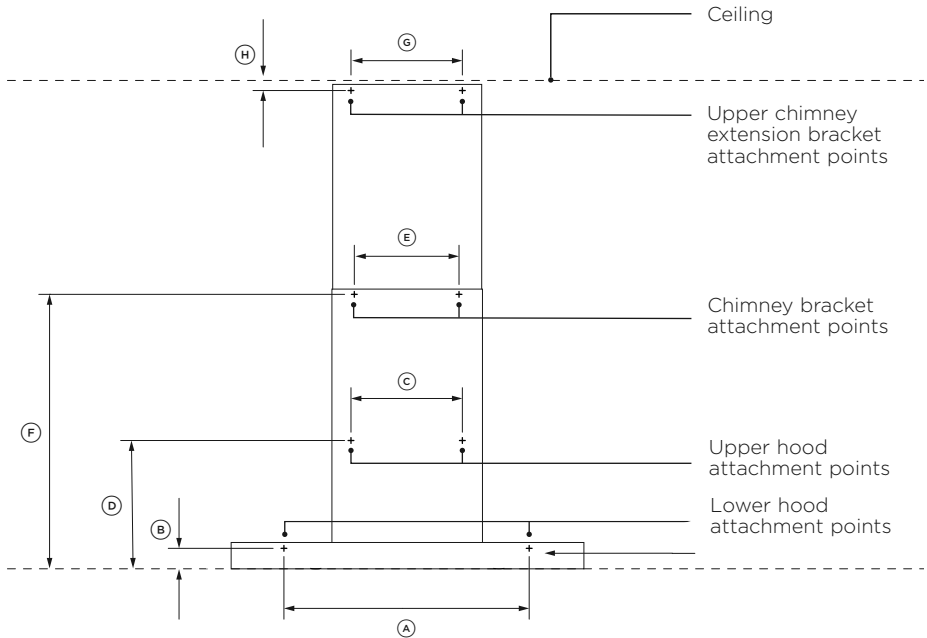
Induction cooktop considerations

- Induction cooktops use energy efficient technology that only heats the contents of a cooking pot.
- Unlike gas or traditional electric cooktops, the surrounding air does not get heated when using an induction cooktop. As a result, rangehood filters, splashbacks and surrounding cabinetry do not get warmed up, increasing the likelihood of condensation on these cooler surfaces.
- Other factors like ambient temperature, humidity, natural ventilation of the room, size of the cookware and how the induction cooktop is being used also influence condensation. For example, aggressive boiling on high cooktop heat settings like PowerBoost increases the rate at which water is evaporated, increasing the likelihood of condensation.
- It is important to understand that neither the rangehood nor the induction cooktop are faulty as a result of this phenomenon.

Condensation can be minimised by:

- Installing the rangehood at the maximum height above the cooktop as specified in this user guide.
- Using the rangehood on a lower speed setting when boiling.
- Using the induction cooktop on a lower heat setting when boiling.
- Switching the rangehood on 5 minutes before cooking and letting it run for at least 5 minutes after cooking. Refer to your user guide for details of how to use the timer function.

ATTACHMENT DIMENSIONS



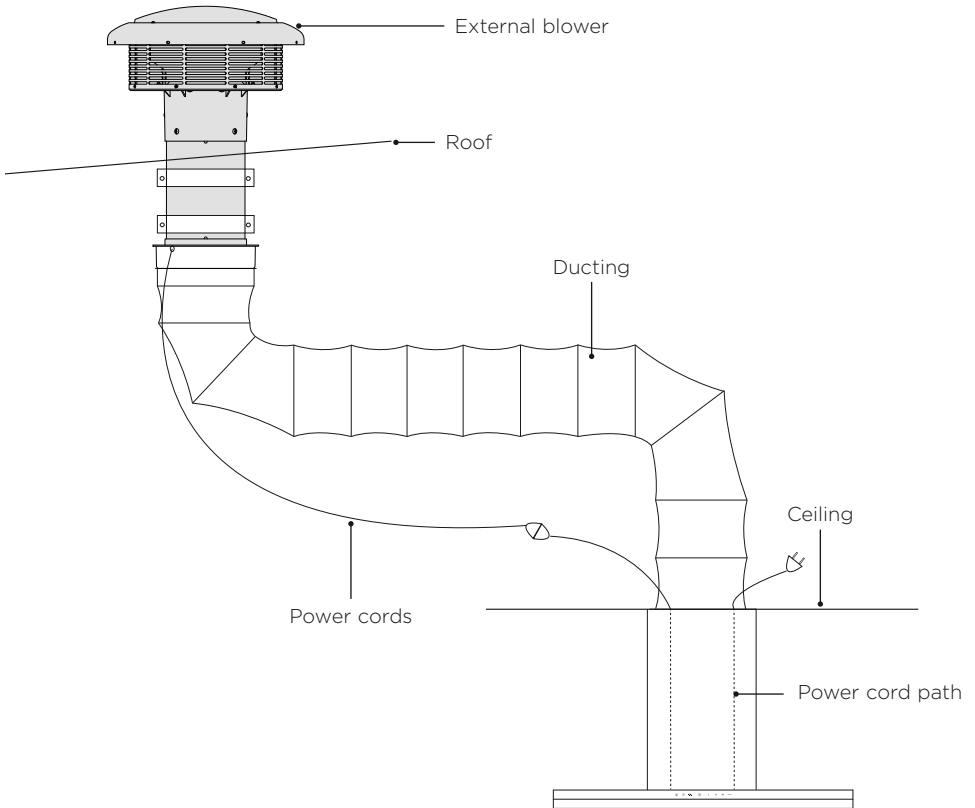
ATTACHMENT DIMENSION	HC60	HC90
	MM	MM
Ⓐ Lower rangehood attachment point width	420	580
Ⓑ Lower rangehood attachment point height	36	36
Ⓒ Upper rangehood attachment point width	250	250
Ⓓ Upper rangehood attachment point height	286	286
Ⓔ Chimney bracket attachment point width	235	235
Ⓕ Chimney bracket attachment point height	559	559
Ⓖ Upper chimney extension bracket attachment point width	250	250
Ⓗ Upper chimney extension bracket attachment point height	20	20

VENTING REQUIREMENTS

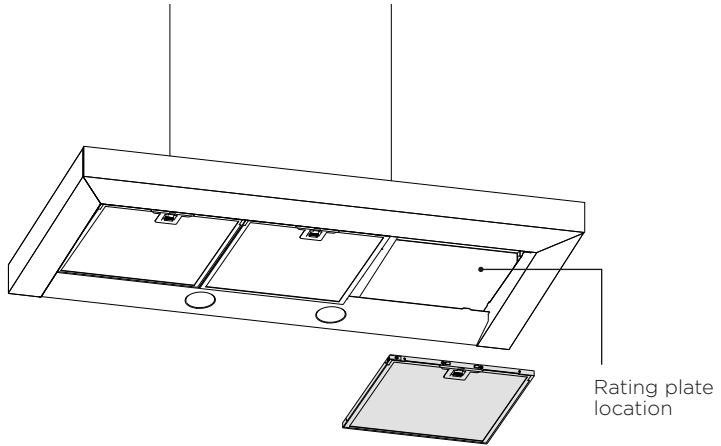
Attention should be given to ensure that any applicable regulations concerning the discharge of exhaust air are fulfilled.

This rangehood is designed to operate with a Fisher & Paykel external blower with the exhaust air ducted externally from the kitchen.

External blower rangehood installation is different from internal blower rangehood installation, please refer to the external blower installation guide for details.



ELECTRICAL REQUIREMENTS

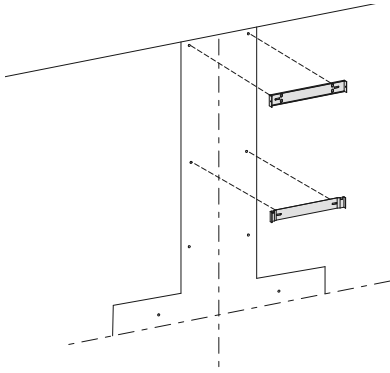


Before connecting the rangehood to the power supply, ensure the voltage and frequency indicated on the rating plate match that of the installation location:

MODEL	FREQUENCY	VOLTAGE
HC60	50 Hz	230 V
HC90	50 Hz	230 V

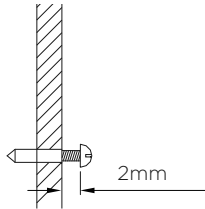
ATTACH BRACKETS AND MOUNTING SCREWS

1



Attach the chimney bracket and upper chimney bracket (if using the upper chimney) in the locations shown. Use the 30mm screws and expansion plugs if attaching to masonry.

2

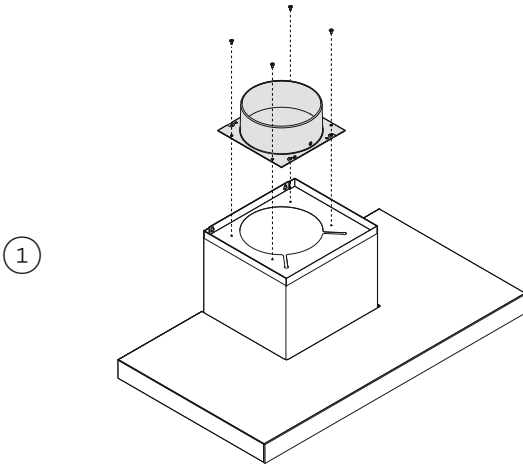


Attach the upper hood mounting screws. Use the 30mm screws and expansion plugs if attaching to masonry.

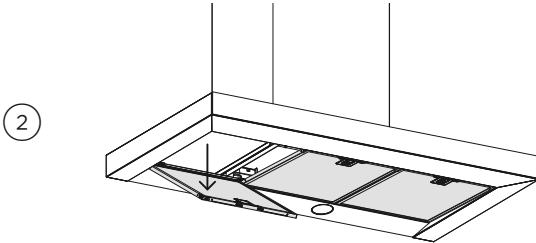
Ensure that there is a 2mm gap between the screw head and the wall.

PREPARE RANGEHOOD

Warning: Failure to install the screws or fixing device in accordance with these instructions may result in an electrical hazards.

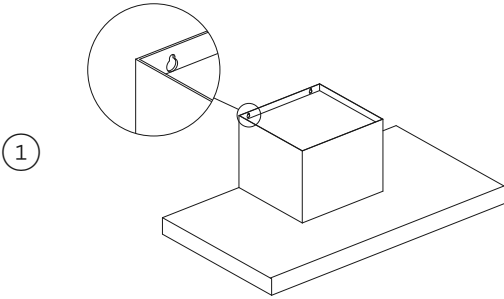


Place the ducting adapter onto the hood and screw it in place using the 10mm screws supplied.

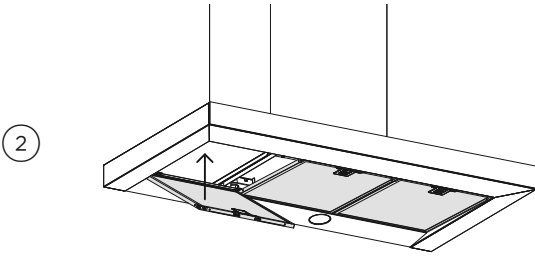


Remove the filters - pull the catch and tilt the filter downwards until it disengages from the supports.

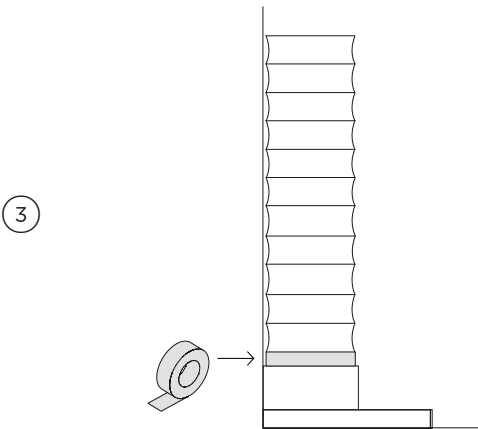
HANG RANGEHOOD



Hang the rangehood off the upper rangehood mounting screws. Hang off the keyhole attachment points on the back of the rangehood then tighten the screws.



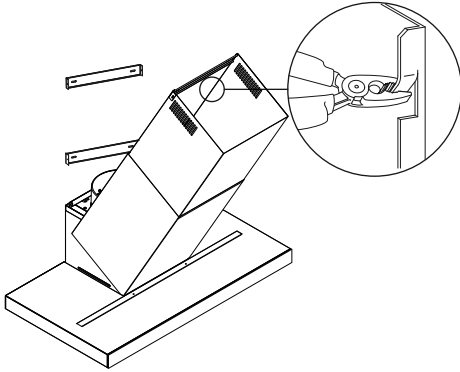
Attach the lower rangehood mounting screws to fix the rangehood to the wall. Refit the filters.



Attach flexible ducting to the ducting adapter using aluminium duct tape.

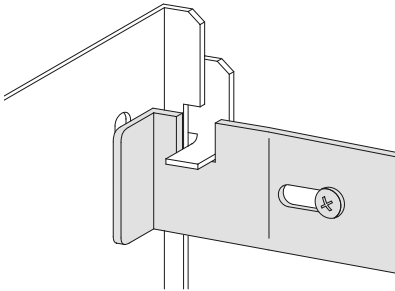
ATTACH CHIMNEY

1



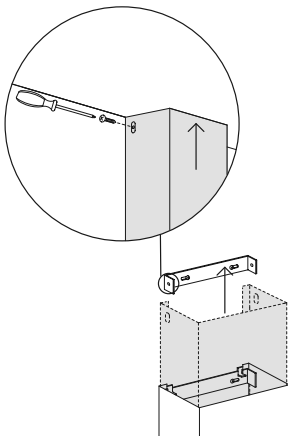
Bend the tabs on the chimney.

2



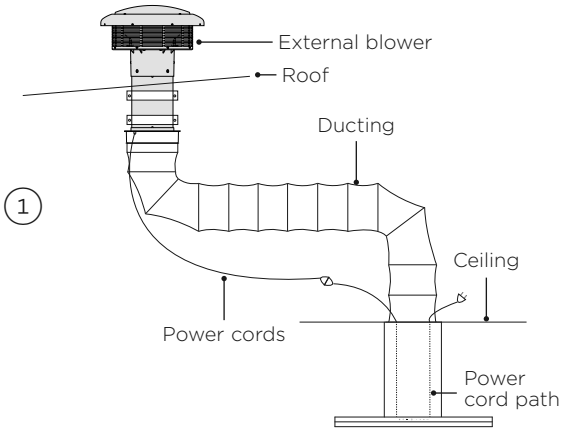
Place chimney around the rangehood chassis and hang off the chimney bracket.

3



Extend the upper chimney and attach to the upper chimney bracket with 10mm screws.

COMPLETE INSTALLATION



Install the external blower (if not already installed), refer to rangehood external blower installation guide.

Connect to the external blower and plug the rangehood in.

PARTS AND ACCESSORIES

ITEM	REFERENCE NUMBER
Flexible ducting 200mm (6m)	792961

FINAL CHECKLIST

TO BE COMPLETED BY THE INSTALLER

- Rangehood is correctly installed
- All connections are secure
- Connections have not pierced any electrical or water lines within the wall
- Ducting has not been crushed or bent in any area's
- Flexible ducting has been pulled taut and any excess removed (if required)
- Power plug switch is accessible to the customer
- Product is plugged in and power switched on
- Operation of the product has been tested

Complete and keep for safe reference:

Model _____

Serial no. _____

Purchase date _____

Purchaser _____

Dealer address _____

Installer's name _____

Installer's signature _____

Installation company _____

Installation date _____

FISHERPAYKEL.COM

© Fisher & Paykel Appliances 2020. All rights reserved.

The models shown in this guide may not be available in all markets
and are subject to change at any time.

The product specifications in this guide apply to the specific products and
models described at the date of issue. Under our policy of continuous product
improvement, these specifications may change at any time.

For current details about model and specification availability in your country,
please go to our website or contact your local Fisher & Paykel dealer.