

FISHER & PAYKEL

**INTEGRATED INSERT RANGEHOOD
WITH EXTERNAL BLOWER**



**CONTEMPORARY
HP60IDCHEX3 & HP90IDCHEX3**

**INSTALLATION GUIDE
NZ AU**

CONTENTS

Safety and warnings	4
Parts supplied	6
Prior to installation	7
Product dimensions	8
Cutout dimensions	10
Installation height	12
Venting requirements	14
Prepare rangehood	16
Connect rangehood	18
Parts and accessories	20
Final checklist	21

⚠ WARNING!



Electric Shock Hazard

Failure to follow this advice may result in electric shock or death.

- Always disconnect the appliance the appliance from the mains power supply before carrying out any maintenance or repairs. Failure to do so can result in death, electric shock, fire or injury to persons.
- Do not immerse cord or plugs in water or other liquid.

⚠ WARNING!



Weight Hazard

Failure to follow this advice may result in personal injury.

- The appliance is heavy. Please ensure adequate care is taken when installing the appliance to prevent personal injury.
- **Product weight:** 6.4kg (HP60) and 8.4kg (HP90).

⚠ WARNING!



Cut Hazard

Failure to use caution could result in injury.

- Take care: some edges are sharp.
- Wear gloves to protect against sharp edges.

READ AND SAVE THESE INSTRUCTIONS

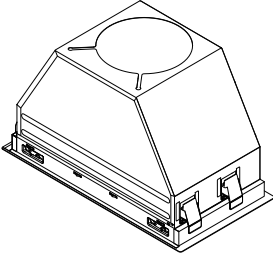
SAFETY AND WARNINGS

WARNING!

When using this appliance always exercise basic safety precautions including the following:

- Please read the entire set of instructions before installing or using this appliance.
- Please make this information available to the person installing the appliance
- Always switch the power off prior to installation, servicing or cleaning of the appliance.
- This appliance must be installed and connected to the mains power supply only by a suitably qualified person according to these installation instructions and in compliance with any applicable local building and electricity regulations. Failure to install the appliance correctly could invalidate any warranty or liability claims.
- To comply with electrical safety regulations, the appliance must be plugged into a socket near the appliance. The socket must be accessible, or have an accessible isolating switch, to enable the end user to isolate the appliance from the power for the purpose of internal cleaning or maintenance.
- A power outlet should be within 750 mm of the rangehood and can either be on the wall or in the ceiling.
- If the supply cord of this equipment is damaged, it must only be replaced by the manufacturer, its service agent or similarly qualified person in order to avoid a hazard.
- All ducting must comply with local requirements and building codes.
- Attention should be given to ensure that any applicable regulations concerning the discharge of exhaust air are fulfilled.
- Before connecting any pipes, consult municipal ordinances to ensure that any applicable regulations concerning the discharge of exhaust air are adhered to and request permission from the person in charge of the building.
- Exhaust air must not be discharged into an existing flue that is used for exhausting fumes from appliances burning gas or other fuels.
- Stainless steel or powdercoat is very easily damaged during installation if abraded or knocked by tools. It is recommended to protect the top of the appliance with cardboard or polystyrene during the installation to minimise the risk of damage occurring.
- To reduce the risk of damage occurring to the cooktop, it is recommended that the surface of the cooktop is protected with cardboard or a similar object during installation of the rangehood.
- In order to avoid a hazard due to inadvertent resetting of the thermal cut-out, this appliance must not be supplied through an external switching device, such as a timer, or connected to a circuit that is regularly switched on and off by the utility.

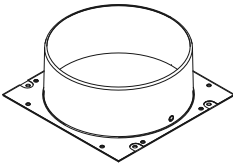
PARTS SUPPLIED



Rangehood (1)



Installation guide (1)



200 mm ducting adapter (1)



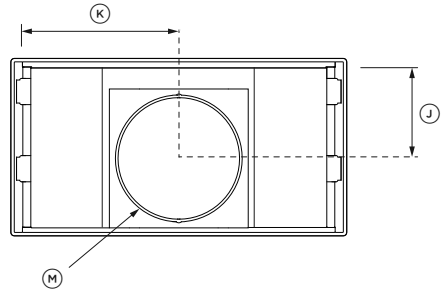
8 mm screw (4)

PRIOR TO INSTALLATION

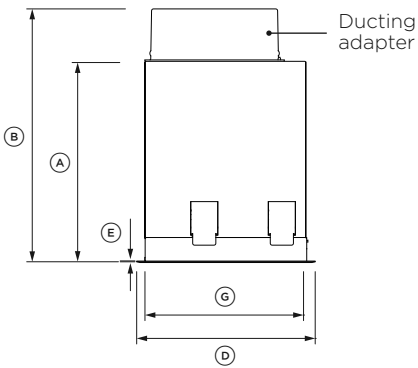
Fisher & Paykel is not liable for any damage caused by not following these instructions.

- Please read the instructions carefully.
- Unpack the rangehood.
- Ensure the voltage (V) and the frequency (Hz) indicated on the rating plate match the voltage and frequency of the installation site.
- Check all functions are working.
- The rangehood surfaces can be damaged during installation if grazed or knocked by tools. Please take care to protect the surfaces during installation.
- Protect the cooktop surface with cardboard, or the like, to prevent damage occurring whilst the rangehood is being installed above.
- The cabinet used for mounting the rangehood should have sufficient strength.
- A power outlet should be within 750 mm of the rangehood and can either be on the wall or in the ceiling.

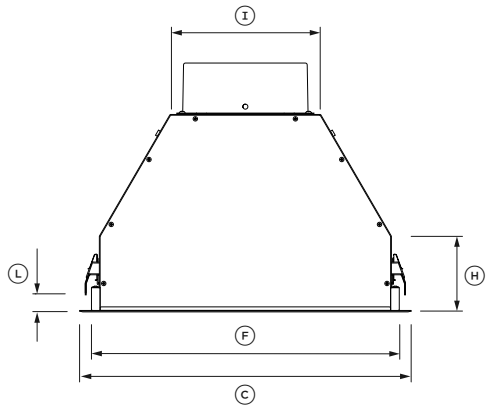
PRODUCT DIMENSIONS



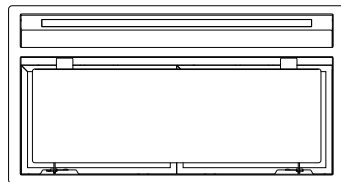
PLAN



PROFILE



FRONT



BOTTOM VIEW

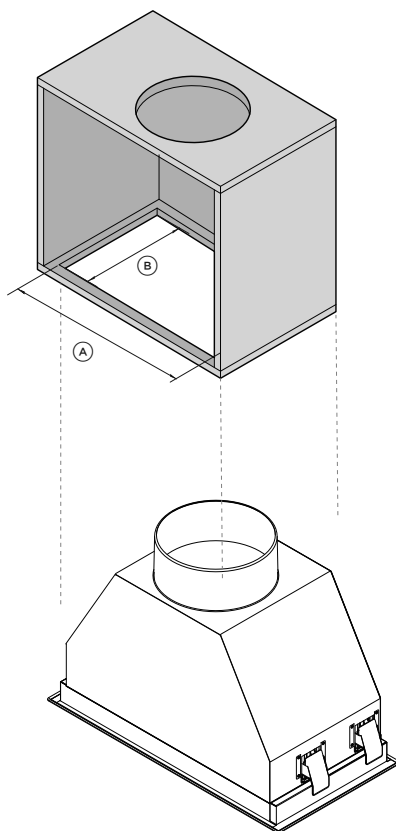
PRODUCT DIMENSIONS

PRODUCT DIMENSIONS	HP60	HP90
	MM	MM
Ⓐ Overall height of product without ducting adapter	316	316
Ⓑ Overall height of product with ducting adapter	398	398
Ⓒ Overall width of product	530	830
Ⓓ Overall depth of product	280	280
Ⓔ Thickness of flange	2	2
Ⓕ Width of the chassis	492	792
Ⓖ Depth of the chassis	255	255
Ⓗ Height of the chassis	120	120
Ⓘ Width of top surface of chassis	240	240
Ⓙ Distance from centre of ducting outlet to back of chassis	145	145
Ⓚ Distance from centre of ducting outlet to side of chassis	245	395
Ⓛ Base of brackets/clips to bottom of chassis	min 15 max 40	min 15 max 40
Ⓜ Diameter of ducting outlet	200	200
Length of power cord	1200	1200
Length of external blower connection cord	1200	1200

Actual product dimensions may vary by ± 2 mm.

CUTOUT DIMENSIONS

60cm model



CUTOUT DIMENSIONS

HP60

MM

Ⓐ Overall width of the cutout

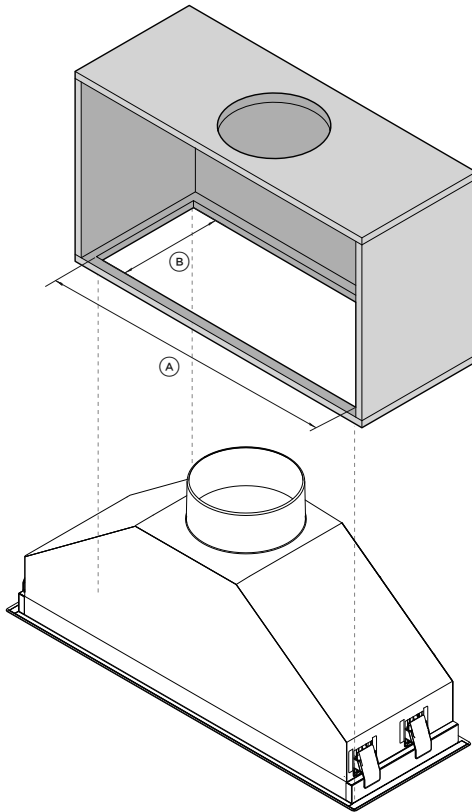
500

Ⓑ Overall depth of the cutout

260

CUTOUT DIMENSIONS

90cm model



CUTOUT DIMENSIONS

HP90

MM

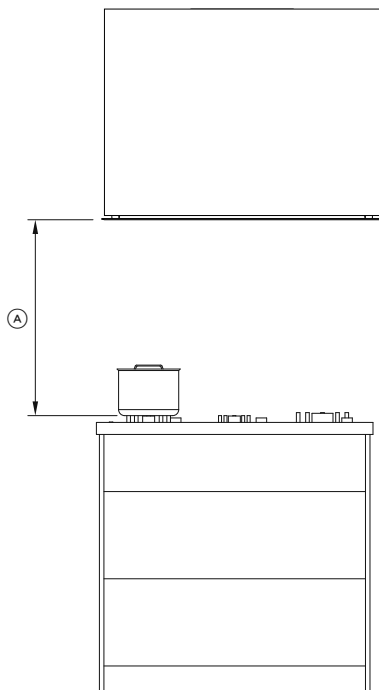
Ⓐ Overall width of the cutout

800

Ⓑ Overall depth of the cutout

260

INSTALLATION HEIGHT



HEIGHT DIMENSIONS

MM

Ⓐ Height top of cooktop to base of product

- Electric cooktop
- Gas cooktop

min 600 - max 750

min 650 - max 750

This rangehood must be installed no lower than the minimum height indicated in the table above. Minimum installation height may be greater if required by the cooktop, refer to your cooktop installation instructions.

Installation at the minimum height will improve the efficiency of capturing cooking odours, grease and smoke. Installation above the minimum height is the users preference, it is not recommended to install above the maximum height indicated in the table above.

INSTALLATION HEIGHT

Induction cooktop considerations

- Induction cooktops use energy efficient technology that only heats the contents of a cooking pot.
- Unlike gas or traditional electric cooktops, the surrounding air does not get heated when using an induction cooktop. As a result, rangehood filters, splashbacks and surrounding cabinetry do not get warmed up, increasing the likelihood of condensation on these cooler surfaces.
- Other factors like ambient temperature, humidity, natural ventilation of the room, size of the cookware and how the induction cooktop is being used also influence condensation. For example, aggressive boiling on high cooktop heat settings like PowerBoost increases the rate at which water is evaporated, increasing the likelihood of condensation.
- It is important to understand that neither the rangehood nor the induction cooktop are faulty as a result of this phenomenon.

Condensation can be minimised by:

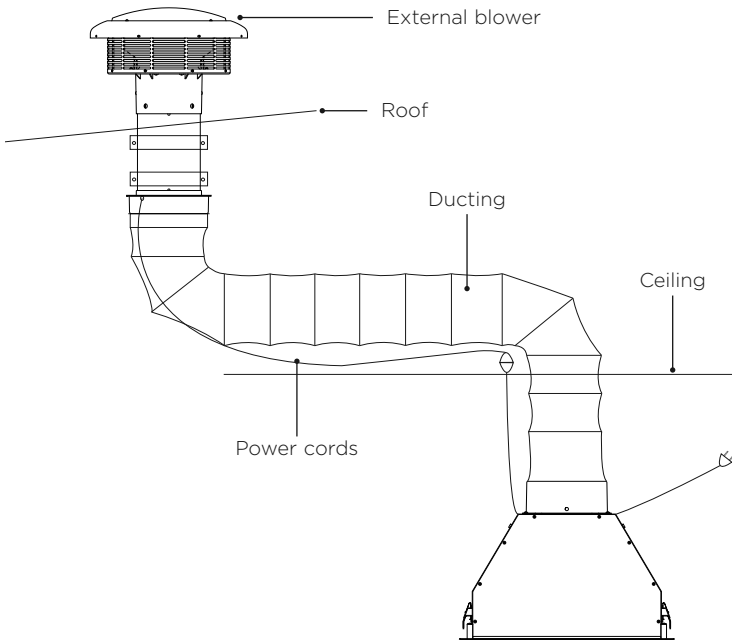
- Installing the rangehood at the maximum height above the cooktop as specified in this user guide.
- Using the rangehood on a lower speed setting when boiling.
- Using the induction cooktop on a lower heat setting when boiling.
- Switching the rangehood on 5 minutes before cooking and letting it run for at least 5 minutes after cooking. Refer to the 'your user guide for details of how to use the timer function.

VENTING REQUIREMENTS

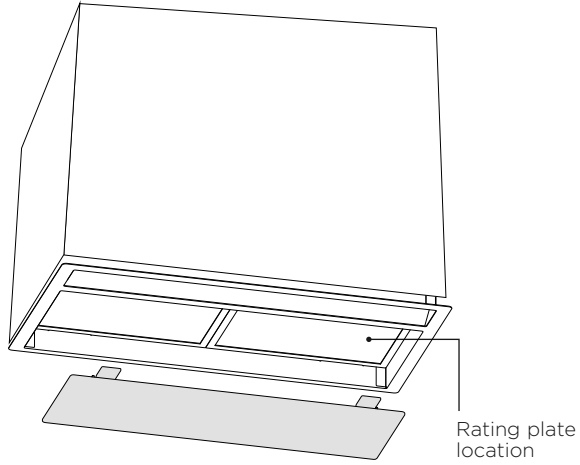
Attention should be given to ensure that any applicable regulations concerning the discharge of exhaust air are fulfilled.

This rangehood is designed to operate with a Fisher & Paykel external blower with the exhaust air ducted externally from the kitchen.

External blower rangehood installation is different from internal blower rangehood installation, please refer to the external blower installation guide for details.



ELECTRICIAL REQUIREMENTS

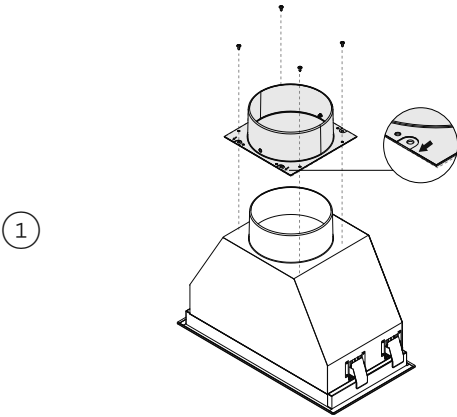


Before connecting the rangehood to the power supply, ensure the voltage and frequency indicated on the rating plate match that of the installation location:

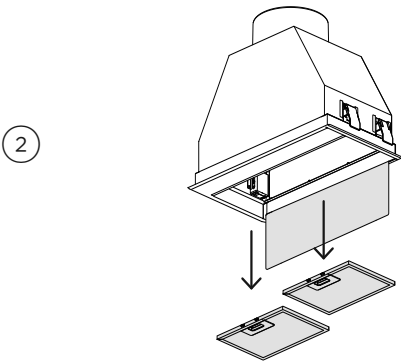
MODEL	FREQUENCY	VOLTAGE
HP60	50 Hz	230 V
HP90	50 Hz	230 V

PREPARE RANGEHOOD

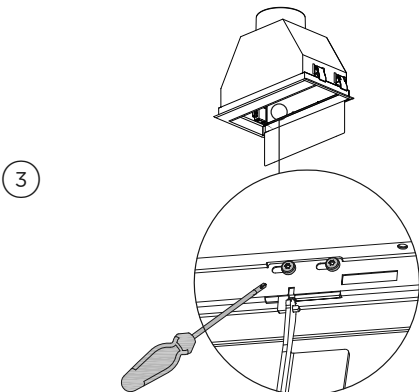
Warning: Failure to install the screws or fixing device in accordance with these instructions may result in an electrical hazards.



Place the ducting adapter onto the hood and screw it in place using the screws supplied. Ensure the arrows on the hood and ducting adaptor align.



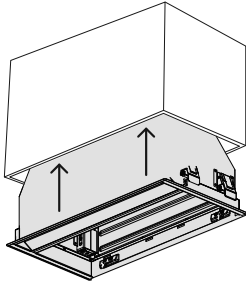
Open the perimeter plate and remove the filters - pull the catch and tilt the filter downwards until it disengages from the supports.



Remove the perimeter plate: Loosen the screws and slide the perimeter plate off the bracket.

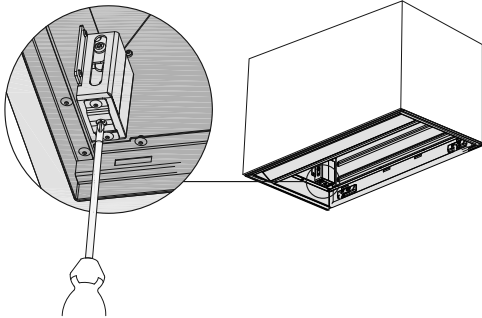
FIT RANGEHOOD

1



Lift the rangehood and fit into the cabinetry until the spring loaded brackets/clips hold the product in place.

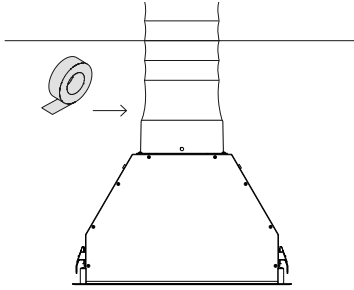
2



Secure the rangehood by tightening the 4 brackets/clips.

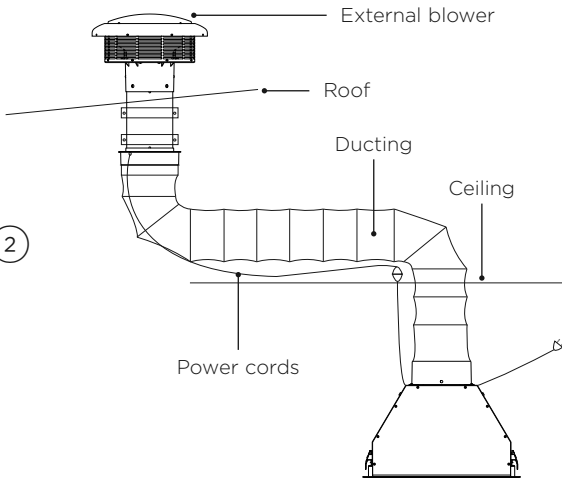
CONNECT RANGEHOOD

1



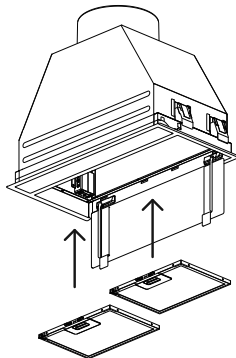
Connect the supplied flexible ducting to the duct adapter with aluminium tape.

2



Install the external blower (if not already installed), refer to rangehood external blower installation guide.

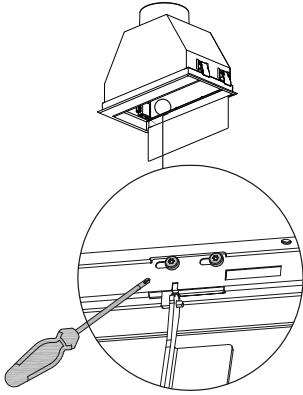
3



Reinstall the filters. Place the filter into the support at the rear of the rangehood. Push the filter back into place.

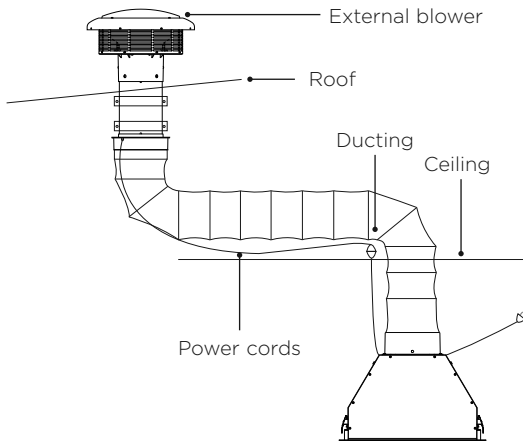
CONNECT RANGEHOOD

4



Reattach the perimeter plate.
Slide the the perimeter plate onto
the bracket and tighten the screws.

5



Connect to the external blower and
plug the rangehood in.

PARTS AND ACCESSORIES

ITEM	REFERENCE NUMBER
Flexible ducting 200mm (6m)	792961

FINAL CHECKLIST

TO BE COMPLETED BY THE INSTALLER

- Rangehood is correctly installed
- All connections are secure
- Ducting has not been crushed or bent in any area's
- Flexible ducting has been pulled taut and any excess removed (if required)
- Power plug switch is accessible to the customer
- Product is plugged in and power switched on
- Operation of the product has been tested

Complete and keep for safe reference:

Model _____

Serial no. _____

Purchase date _____

Purchaser _____

Dealer address _____

Installer's name _____

Installer's signature _____

Installation company _____

Installation date _____

FISHERPAYKEL.COM

© Fisher & Paykel Appliances 2020. All rights reserved.

The models shown in this guide may not be available in all markets
and are subject to change at any time.

The product specifications in this guide apply to the specific products and
models described at the date of issue. Under our policy of continuous product
improvement, these specifications may change at any time.

For current details about model and specification availability in your country,
please go to our website or contact your local Fisher & Paykel dealer.

105949A 05.20