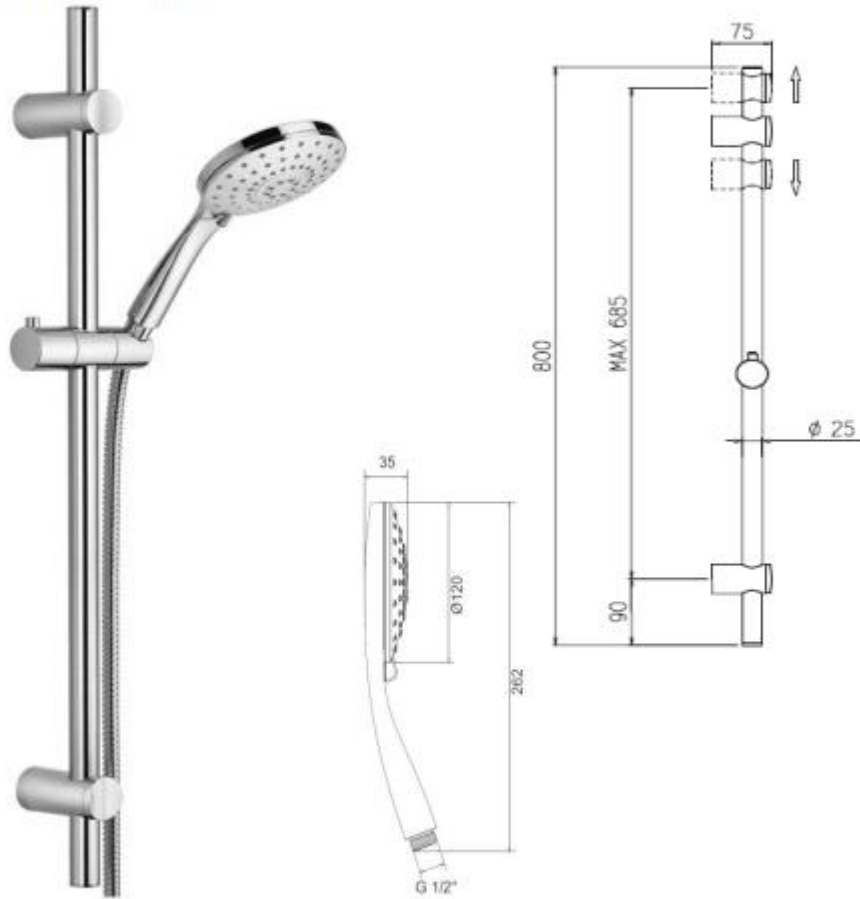


TECHNICAL SPECIFICATIONS
Ariel 3F on Libera Retro-fit Rail
ARHS LRR2



DISTRIBUTED BY COLLIS MARKETING SERVICE
BETHANIA QLD. 4205 **HEIDELBERG WEST VIC.3081**