

## GIORGIA

INSET OR ISLAND BATH WITH TILE BEAD INCLUDED - Premium Enamel Steel, High Gloss White

The Georgia's scratch resistant, enamel steel fabrication is a stylish & durable alternative to acrylic. This versatile, bath has been designed for either an island or inset installation. *End waste position.*

Molded arm rests

Lumbar support

Suitable for dual bathing

Slip resistant pattern

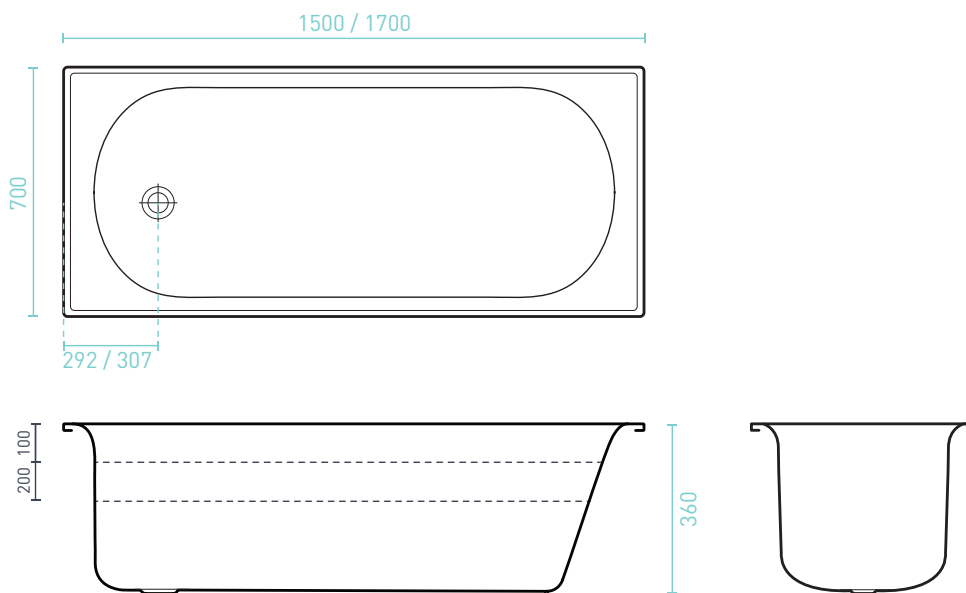


SIZE (l) x (w) x (d) mm	CAPACITY*	NET WEIGHT	CODE
1500 x 700 x 360	65L	21kg	<b>GI1500M</b>
1700 x 700 x 360	75L	24.2kg	<b>GI1700M</b>



- 5 YR WARRANTY\*
- AS/NZ Standard 2023/1995
- Tile bead strip included
- Non-porous 1.5mm enamel

GIORGIA ACCESSORIES	BATH
Plug & Waste	Optional
Sia Headrests Black/White	Optional



\*Capacity 200mm below the bath rim