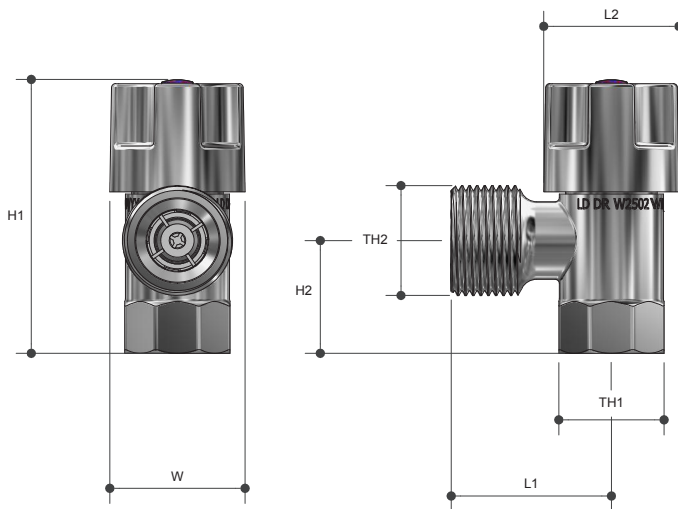


Washing Machine Stop Modular Quarter Turn

MT2015

Product Specifications

MT MONOPOLY™
T A P W A R E



Specifications

Maximum working temperature 80°C

Maximum pressure rating 1000kPa

Sizing Chart [MM]

	L1	L2	H1	H2	W	TH1	TH2
MT2015	39	30	66	27	33	G 1/2"	G 3/4"

Features

Watermark approved

Chrome plated finish

Intergrated non return valve designed to assist in the elimination of water hammer

Fashionable ABS handle

Simplicity of operation

Premium quarter turn ceramic disc

Australian patent number 2003213322

Supplied with red & blue indicator buttons

Tested and certified to AS/NZS 3718



For more information on Monopoly Tapware, contact:
Austworld 15 Activity Crescent, Molendinar, Queensland 4214 Australia
P. 1300 780 430 F. 1300 780 441 E. info@austworld.com.au

Austworld Pty Ltd. All rights reserved 2018. Austworld and Monopoly Tapware are registered trade mark belonging to Austworld Pty Ltd.

AW
AUSTWORLD