

CHOICE SUPPLIES



BATHROOM • KITCHEN • LAUNDRY

COOPER

ABOVE COUNTER BASIN

Features

Item Code - 142042020

Product Model - 4202

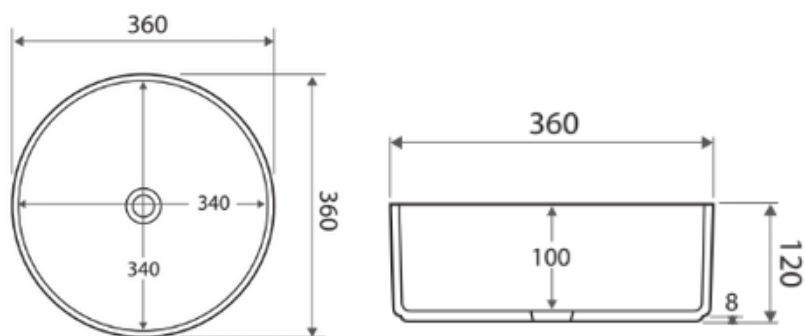
Materials - Vitreous China

Fitting - Above Counter

Waste - 32mm No Overflow

Size - 360X360X120mm

Warranty - 5 Years replacement



Australian owned since 2006

E info@choicesupplies.com.au | P 03 9548 1033 | W www.choicesupplies.com.au

Visit us at: [2/820 Princes Hwy, Springvale VIC 3171](https://www.google.com/maps/place/2820+Princes+Hwy,+Springvale+VIC+3171)