

CHOICE SUPPLIES



BATHROOM • KITCHEN • LAUNDRY

King

DOUBLE BOWL SINK WITH DRAINER

Features

Item Code - 152040509

Product Model - SS10840

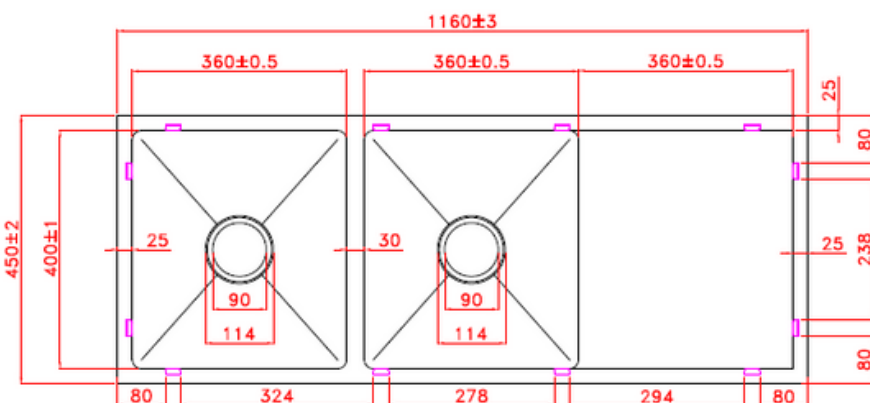
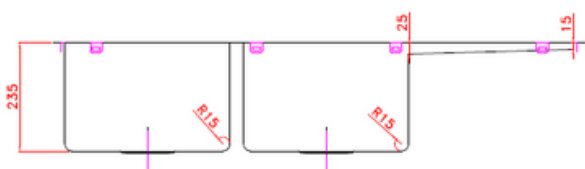
Materials - Stainless Steel.

Fitting - Inset Or Undermount.

Waste - 2x 90mm Basket Wastes

Size - 1080X480X235mm

15 Year Replacement Warranty



Australian owned since 2006

E info@choicesupplies.com.au | P 03 9548 1033 | W www.choicesupplies.com.au

Visit us at: [2/820 Princes Hwy, Springvale VIC 3171](https://www.google.com/maps/place/2820+Princes+Hwy,+Springvale+VIC+3171)

Dimensions are approximate. Information provided in this brochure is representative of the actual products available at the time of printing. Due to our policy of continuous product development, the designs and specifications depicted are subject to change without notice. Please confirm all particulars with your consultant prior to purchase. Each product is covered by a limited warranty. Full terms and conditions are available from your sales consultant.