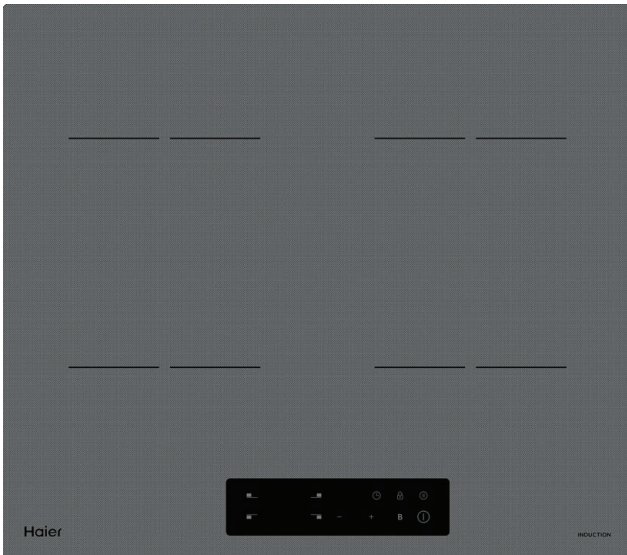


HCI604TG3

Induction Cooktop, 60cm, 4 zones

Haier



Height

60mm

Width

590mm

Depth

520mm

Weight (Packaged)

10kg

Weight (Product)

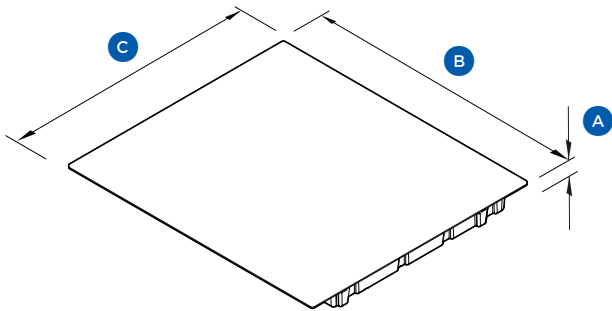
9kg

FEATURES

- Versatile mid grey glass finish to suit a range of kitchen designs
 - Four cook zones with precise heat control
 - Energy-efficient induction technology
 - Surface remains cool-to-touch until cookware is placed on it
 - Instant-response heating for busy lives
 - Easy-to-clean glass surface
 - Intuitive slide controls
 - Child lock for safety
 - Designed to pair with a Haier oven in matching mid grey glass
-

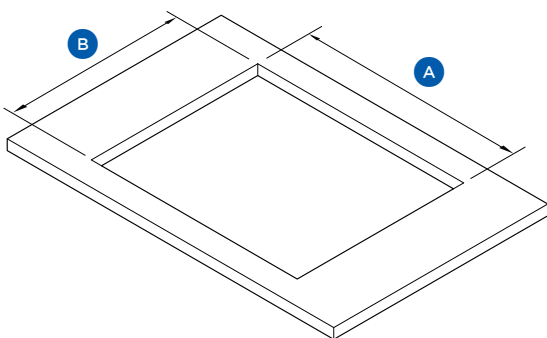
Product overview

PRODUCT DIMENSIONS



		mm
A	Overall height	60
B	Overall width	590
C	Overall depth	520

CAVITY DIMENSIONS



		mm
A	Overall width of cutout	562
B	Overall depth of cutout	492

SERVICES

- Supply 220-240V, 50Hz
- Rated Current 30.8A
- Connection Hard wired