

CHOICE SUPPLIES



BATHROOM • KITCHEN • LAUNDRY

King

DOUBLE BOWL SINK

Features

Item Code - 152040512

Product Model - SS7645D

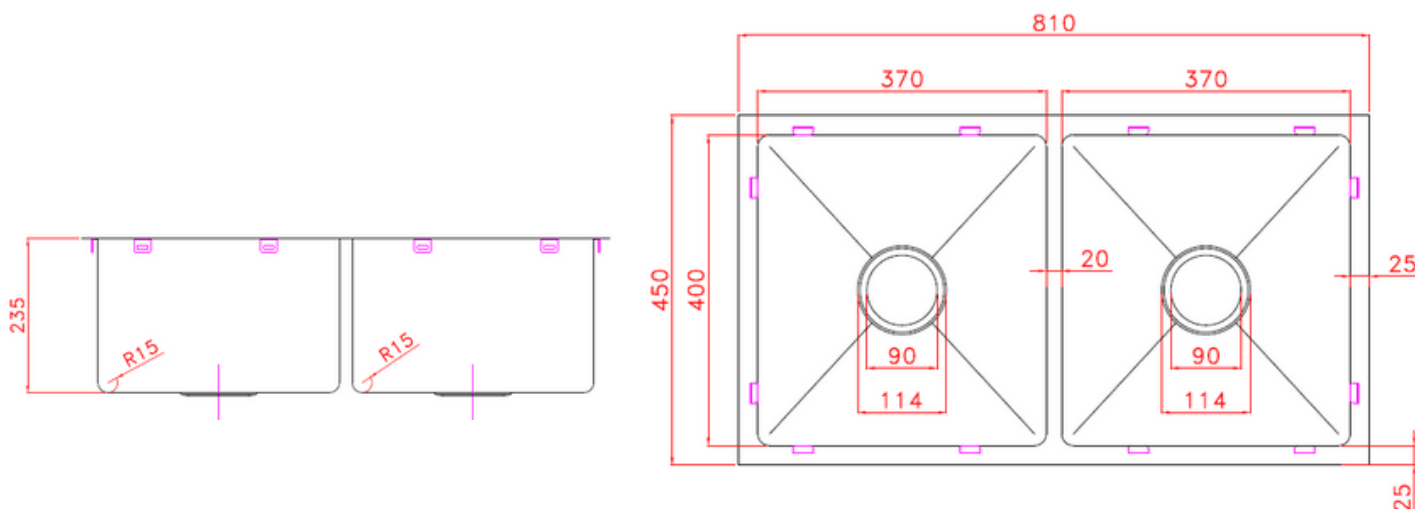
Materials - Stainless Steel.

Fitting - Inset Or Undermount.

Waste - 90mm Basket Waste.

Size - 810X450X235mm

15 Year Replacement Warranty



Australian owned since 2006

E info@choicesupplies.com.au | P 03 9548 1033 | W www.choicesupplies.com.au

Visit us at: [2/820 Princes Hwy, Springvale VIC 3171](https://www.google.com/maps/place/2820+Princes+Hwy,+Springvale+VIC+3171)